



DNV

S I N C E 2 0 0 8

COMPANY YOU CAN TRUST



DNV Global Pvt. Ltd.

uPVC & ALUMINIUM WINDOORS HARDWARE..

www.dnvhardware.com



CONTENT

COMPLETE RANGE OF uPVC DOORS & WINDOWS HARDWARE

Certifications	1
DNV Manufacturing Facilities	2
About Us	3
uPVC Hardware Services	4
Casement Window Handle Series	5
Casement Door Handle Series	11
Sliding Handle Series	17
Sliding Roller Series	24
Casement Window & Door Strikers	28
Sliding Strikers	30
Espag Series	31
Door Espag Series	32
Other Accessories	33
Slide & Fold	36
Lift & Slide System	37

CERTIFICATIONS

Certificate of Registration

This is to certify that

DNV GLOBAL PVT. LTD.
 KHASRA NO-16/21/2, NATHUPUR, SONIPAT HARYANA, 131029, INDIA

has been independently assessed by QRO
 and is compliant with the requirement of:

ISO 9001:2015

Quality Management System

For the following scope of activities:

**MANUFACTURERS OF UPVC DOORS & WINDOWS HARDWARE, HANDLE, HINGE,
 DOOR LOCK SET, ROLLER, ESPAG, FRICTION STAY, WIND BRAKE/ARM
 RESTRICTOR, SHOOT BOLT, STRIKER**

Date of Initial Registration: 26th August 2022 2nd Surveillance Audit Due: 25th August 2024
 Date of this Certificate: 25th August 2023 Certificate Expiry: 25th August 2025

Certificate Number: 305022082637Q

Validity of this certificate is subject to annual surveillance audits to be done successfully on or before 365 days from date of the audit.
 (In case surveillance audit is not allowed to be conducted, this certificate shall be suspended / withdrawn).
 The Validity of this certificate can be verified at www.qrocert.org
 This certificate of registration remains the property of QRO Certification LLP and shall be returned immediately upon request.

India Office : QRO Certification LLP
 142, 1st Floor, Ansal Enclave, Near Panchsheel Vihar Metro Station, Delhi-110063, (INDIA)
 Website : www.qrocert.org, E-mail : info@qrocert.org

Certificate of Compliance

CE

We hereby declare that the technical file of product complied with the requirement of Construction products (CPD/CPR) 89/106/EEC as Amended Regulation (EU) 305/2011 and directives 93/68/EEC

Certificate No.: CE-3464

Manufacturer
 Name : DNV GLOBAL PVT. LTD.
 Address : KHASRA NO-16/21/2, NATHUPUR, SONIPAT HARYANA, 131029, INDIA
 Products : UPVC DOORS & WINDOWS HARDWARE, HANDLE, HINGE, DOOR LOCK SET, ROLLER, ESPAG, FRICTION STAY, WIND BRAKE/ARM RESTRICTOR, SHOOT BOLT, STRIKER

The quality system file has been assessed, approved and is subject to continuous surveillance according to the Council Construction products (CPD/CPR) 89/106/EEC as Amended Regulation (EU) 305/2011 and directives 93/68/EEC & directives 2006/42/EC Machinery Directive.

This certificate is issued under the following conditions:

1. It applies only to the quality system maintained in the manufacture of above referenced models and it does not substitute the design or type examination procedures, if requested.
2. The certificate remains valid until the manufacturing conditions or the quality systems are changed.
3. The certificate validity is conditioned by positive results or surveillance audits.

The CE mark as shown above can be used, under the responsibility of the manufacturer, after completion of an EC Declaration of conformity and compliance with all relevant EC Directives. The statement is based on a single evaluation of one sample of above mentioned product. It does not imply an assessment of the whole production.

Validity of this certificate can be verified at www.ukcertifications.org.uk/verify

Date of initial registration	26 th August 2022
Date of initial registration	26 th August 2023
Certificate Expiry	25 th August 2024
Recertification Due (subject to the company maintaining its system to the required standard)	25 th August 2025

Daniel...
 Authorised Signatory

This certificate is the property of U.K. Certification & Inspection Limited and shall be returned immediately on request.
 71-73 Skelton Street, Covent Garden, London, WC2H 8AQ, United Kingdom
 Website: www.ukcertifications.org.uk, email: info@ukcertifications.org.uk
 Company No. 11882911

WE ARE MEMBER OF

UWDMA
 uPVC Window and Door Manufacturers Association

DNV MANUFACTURING FACILITIES



DNV FACTORY PREMISES



EDM / VMC MACHINE



CASTING MACHINE



POWDER COATING



PRESS SHOP



AUTOMATIC ELECTRO PLATING



ESPAG ASSEMBLY



DNV STRENGTH



About Us

Established in 2008, “**DNV Global Pvt. Ltd.**”; an ISO 9001:2008 company is the first & foremost uPVC hardware manufacturing unit in India. From conception till date we have shown tremendous growth and expansion via our distinct product approach. We are endowed with a team of competent professionals assuring to deliver the best of services for our clients. The unmatched experience and superior grade of material used for the extensive products range are the factors accountable for our success. We have network all over india with manufacturing set up in Haryana and sales network with head office in New Delhi, Branch office in Coimbatore, Hyderabad, Bangalore, Chennai, Gujarat, Kolkata and Madhya Pradesh. We export to many Asian countries as well.

Over the past few years we have gained an excellent reputation for our high quality products, competitive price, fast delivery & dedicated service that we have provided to our customers.

uPVC Hardware Services

DVN Global Pvt. Ltd. is continually serving as the most consistent and best uPVC hardware product service provider. We have got the most perfect answers for you just in case you are facing any kind of issues regarding the varied uPVC hardware products. Innumerable as well as a gigantic range of uPVC hardware products, eminent team of professionals working for your satisfaction and lastly the most important reasonable prices- that's all we have always worked with.

Our 24/7 available customer support service is always present to facilitate you with a highly perfect solution to all your hardware related queries. Commencing right from your buying the desired products from us till the post sale-services, our team is there to assist you whenever you seek our assistance, no matter when! We are considered to be the best uPVC hardware product service provider not only for our services but also the raw materials which are undoubtedly worthy of being spent on and they are literally going to support your needs to the utmost. We at DVN Global Pvt. Ltd. value the amount of money you are spending on our products and thus, we truly ensure you the best quality products.



Wide Variety
of Colors



Elegant Looks



Maintenance
Free



Energy Saving



Sound Proof



Weather Proof



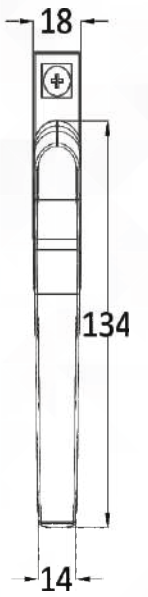
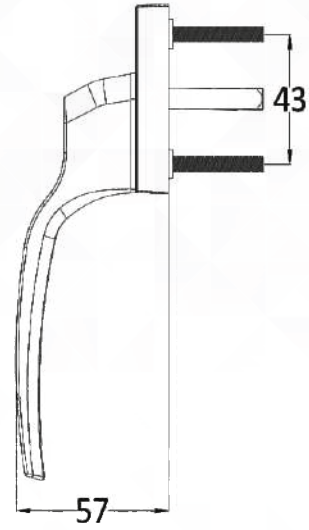
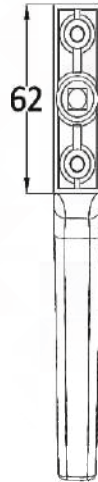
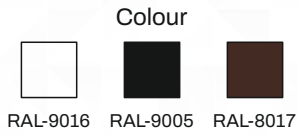
Dust Proof



Blocks Seepage

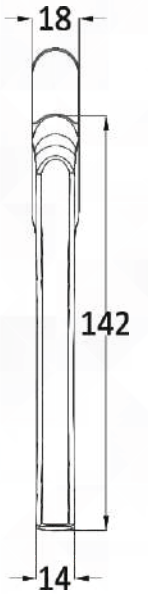
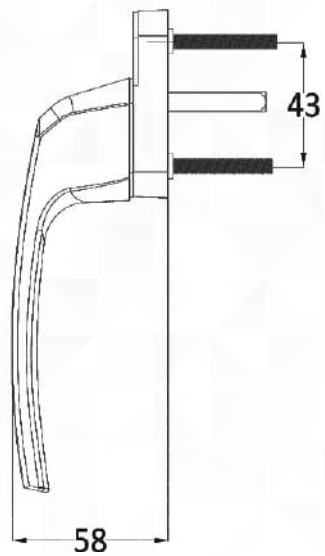
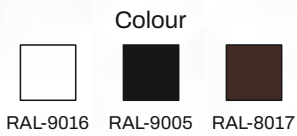
Casement Handle

CMTW-101



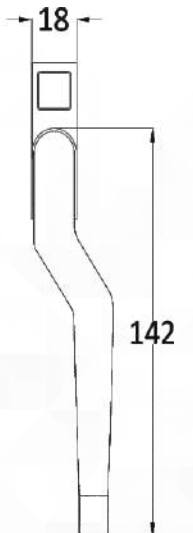
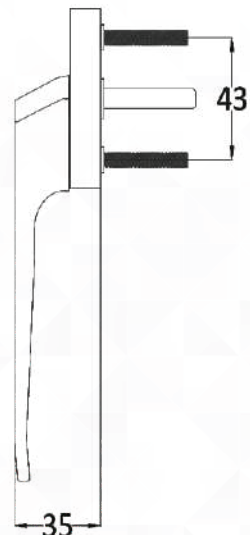
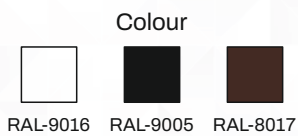
Casement Handle H

CMTW-106



Casement / Sliding Mesh Handle - R / L

CMTW-111 / 116



Casement Handle Curved - R / L

CMTW-121 / 126

Colour



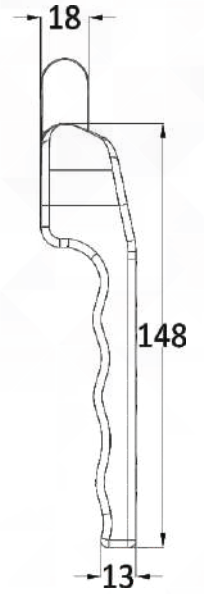
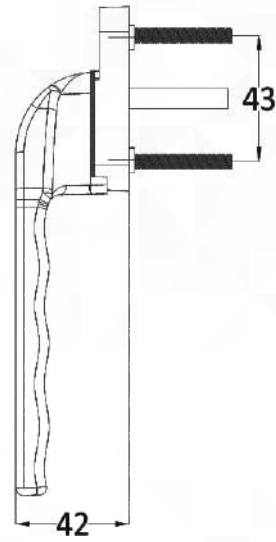
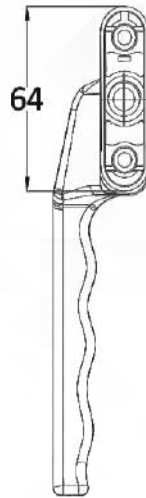
RAL-9016



RAL-9005



RAL-8017



Casement Handle Heavy ZN- R / L

CMTW-131 / 136

Colour



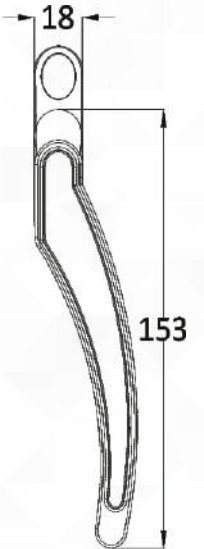
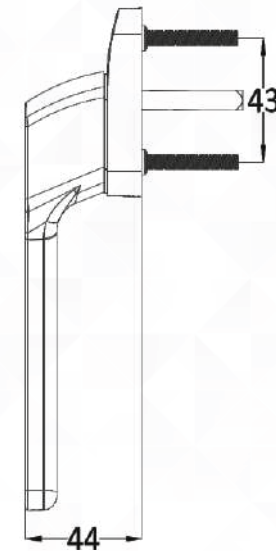
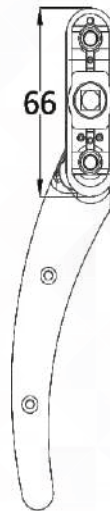
RAL-9016



RAL-9005



RAL-8017



Cocksper Handle R / L

CMTW-141 / 146

Colour



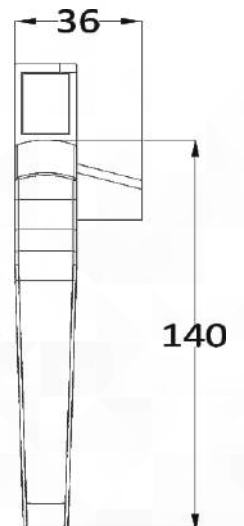
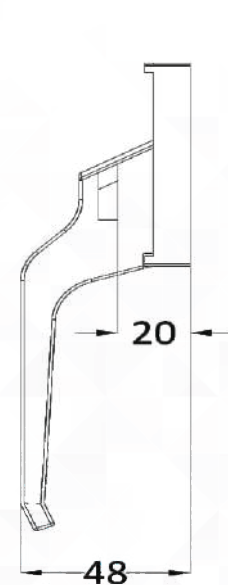
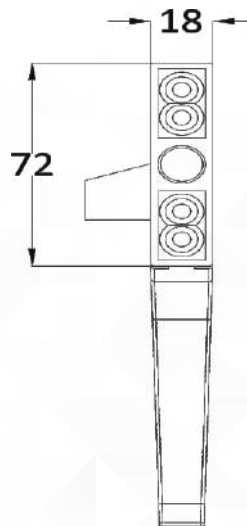
RAL-9016



RAL-9005

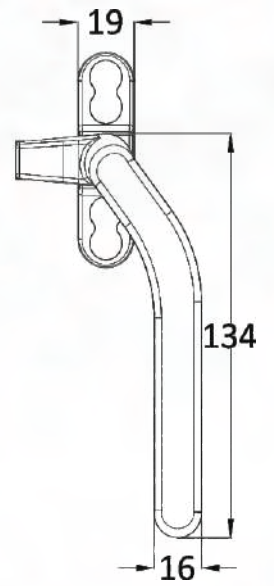
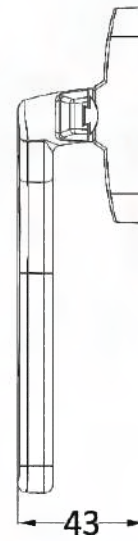
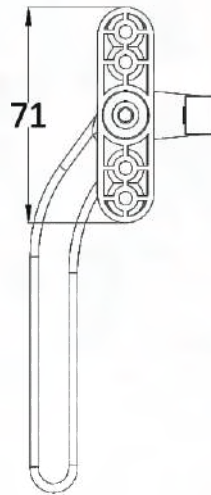
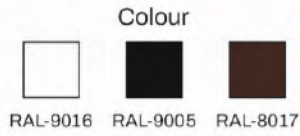


RAL-8017



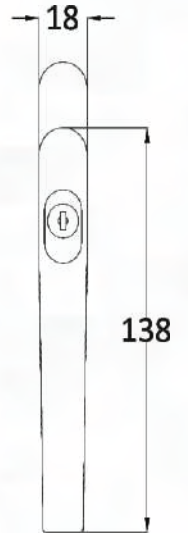
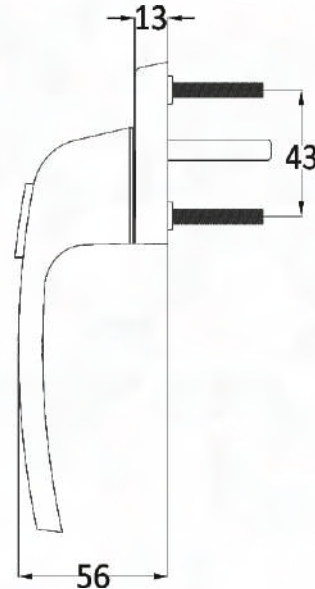
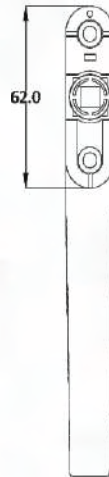
Cocksper Handle Pro R/L

CMTW-151 / 156



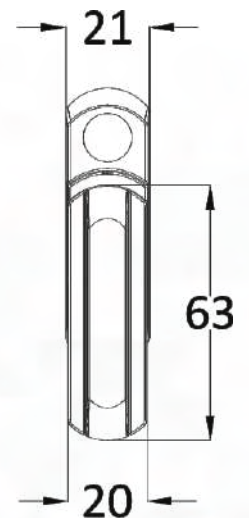
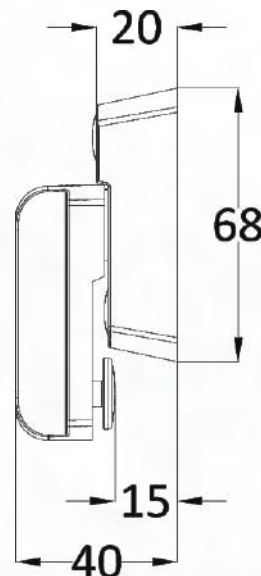
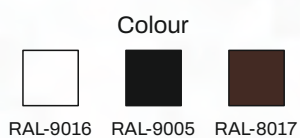
Casement Handle Key

CMTW-161



Casement "T" Handle

CMTW-166



CSMT Double Side Handle One Side Key

CMTW-169

Colour



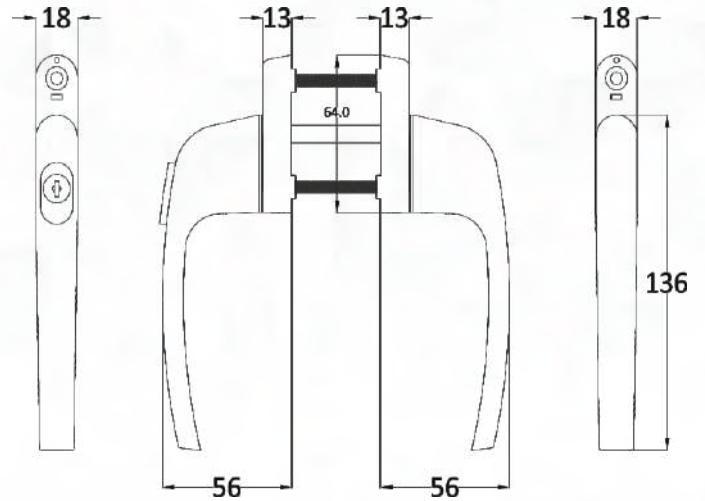
RAL-9016



RAL-9005



RAL-8017



2D Hinge "L" Shape (ZN)

CMTW-172

Colour



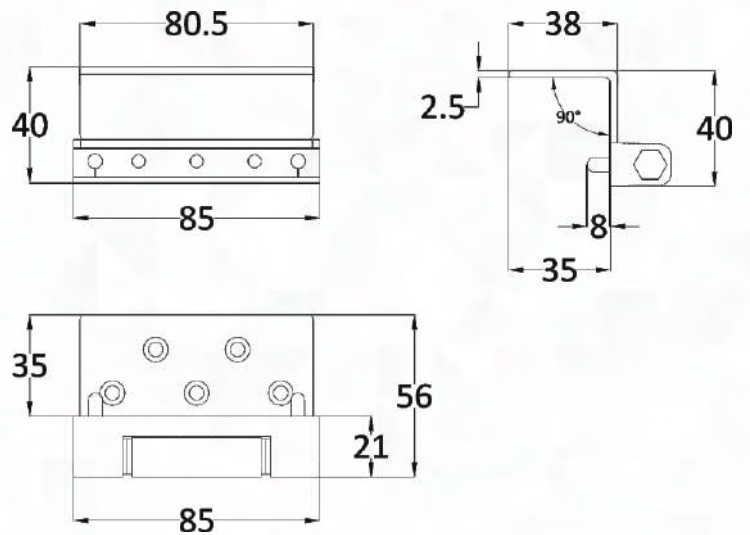
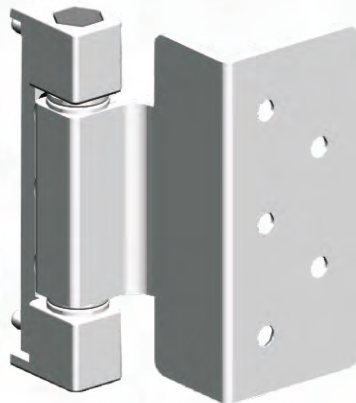
RAL-9016



RAL-9005



RAL-8017



2D Hinge Flat (ZN)

CMTW-175

Colour



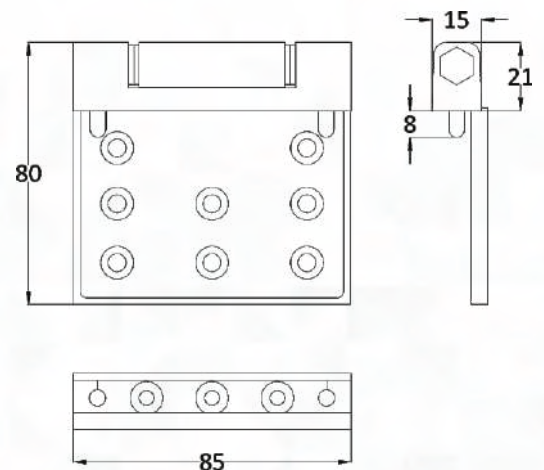
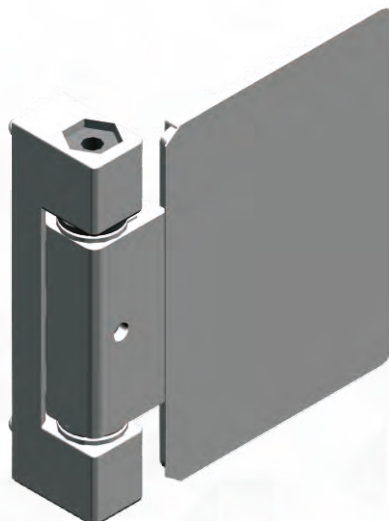
RAL-9016



RAL-9005



RAL-8017



Butt Hinge 100mm

CMTW-179

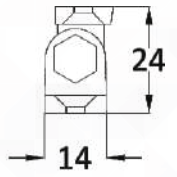
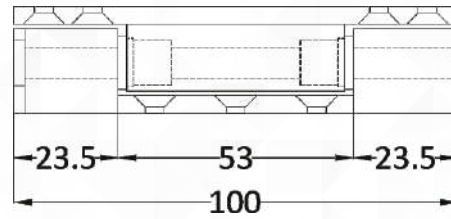
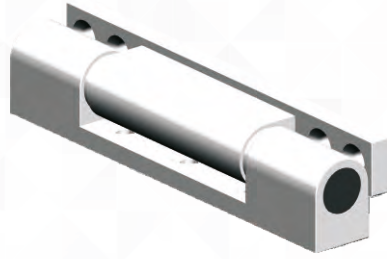
Colour



RAL-9016

RAL-9005

RAL-8017



2D Concealed Hinge Window

CMTW-182

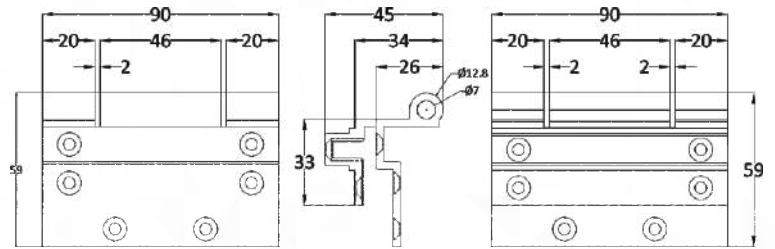
Colour



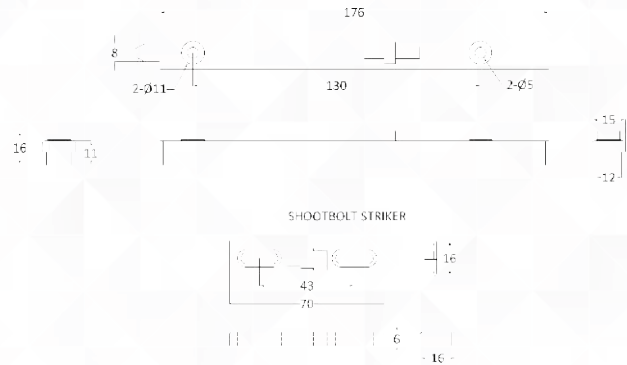
RAL-9016

RAL-9005

RAL-8017

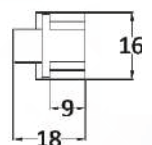
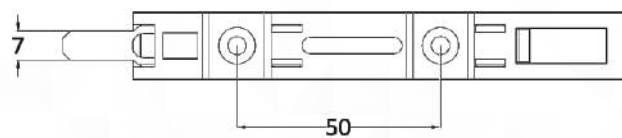
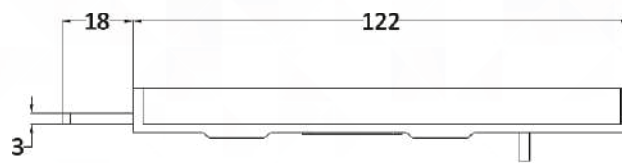


Shoot Bolt 6" CMTW-186



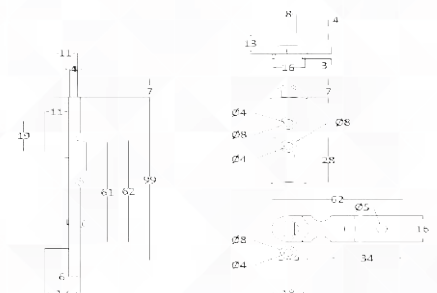
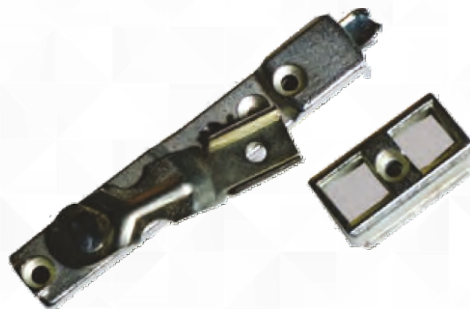
Shoot Bolt 4" (P)

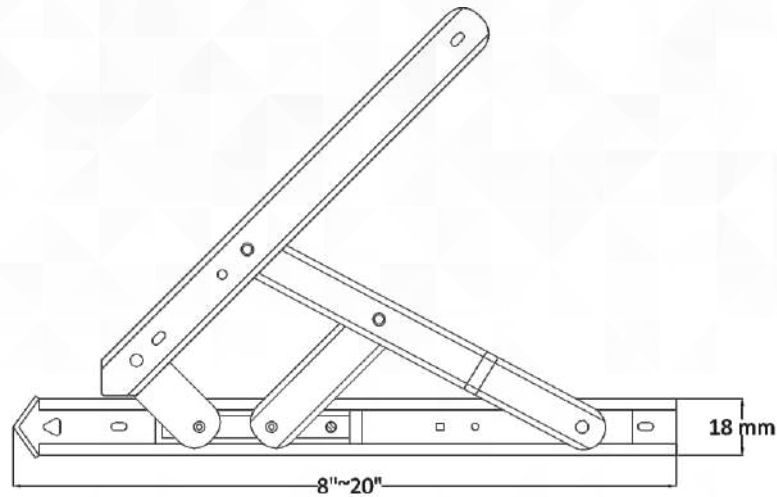
CMTW-187



Shoot Bolt Zinc

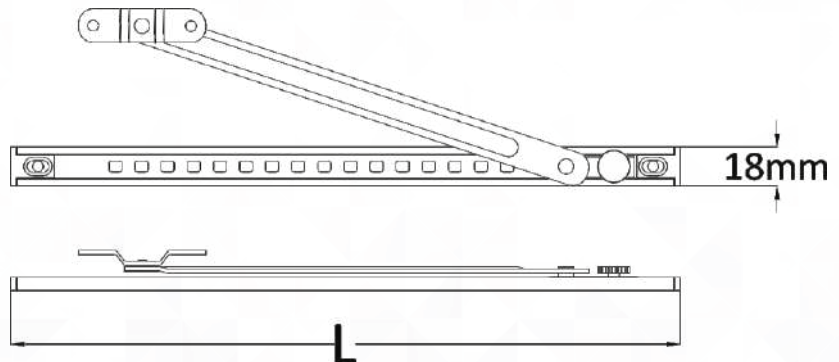
CMTW-188





Friction Stay CMTW-189 / 201

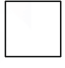


TECHNICAL DATA											
PRODUCT	SIZES	MAT.	PART CODE	BARS THICKNESS (mm)	NO. OF ARMS	STACK HEIGHT (mm)	HUNG	VENT HEIGHT (mm)	VENT WIDTH (mm)	VENT WEIGHT (Kg)	OPENING ANGLE (±2)
FS	8"	SS202	CMTW-189	2	4	16	TOP/SIDE	1200	350	11	60°
FS	10"	SS202	CMTW-190	2	4	16	TOP/SIDE	1200	400	16	84°
FS	12"	SS202	CMTW-191	2	4	16	TOP/SIDE	1200	550	18	85°
FS	14"	SS202	CMTW-192	2.5	4	16	SIDE	1200	650	26	87°
FS	16"	SS202	CMTW-193	2.5	4	16	SIDE	1200	750	28	87°
FS	20"	SS202	CMTW-194	2.5	4	16	SIDE	1200	1000	40	87°
FS	8"	SS304	CMTW-195	2	4	16	TOP/SIDE	1200	350	11	60°
FS	10"	SS304	CMTW-196	2	4	16	TOP/SIDE	1200	400	16	84°
FS	12"	SS304	CMTW-197	2.5	4	16	TOP/SIDE	1200	550	18	85°
FS	14"	SS304	CMTW-198	2.5	4	16	SIDE	1200	650	26	87°
FS	16"	SS304	CMTW-199	2.5	4	16	SIDE	1200	750	28	87°
FS	18"	SS304	CMTW-200	2.5	4	16	SIDE	1200	850	28	87°
FS	20"	SS304	CMTW-201	2.5	4	16	SIDE	1200	1000	40	87°

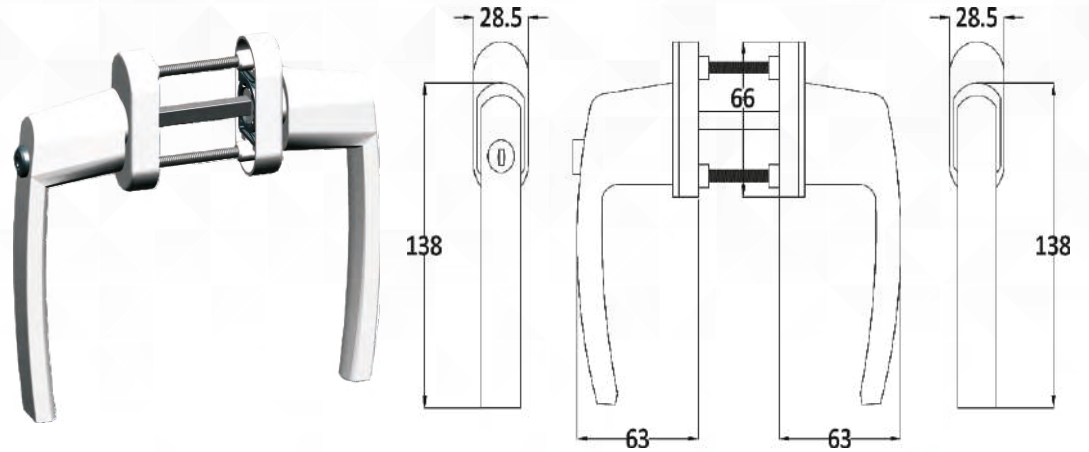


ARM Stay 10" SS304 ARM Stay 12" SS304 CMTW-202 / 203

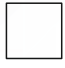


TECHNICAL DATA			
PRODUCT	SIZES (L)	MAT.	PART CODE
AS	10"	SS304	CMTW-202
AS	12"	SS304	CMTW-203

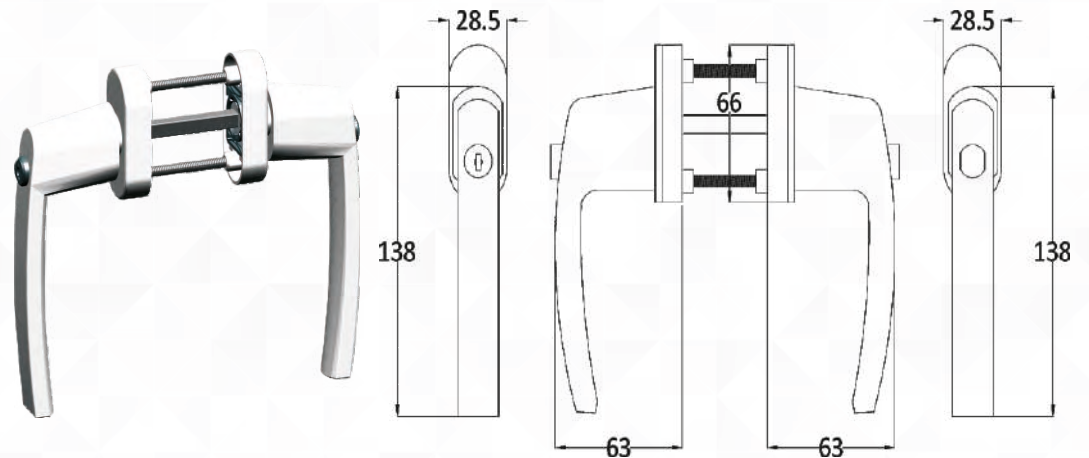
**SLD/CSMT
Double Side Handle
One Side Key**
CMTD-301

Colour
 RAL-9016
 RAL-9005
 RAL-8017

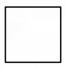




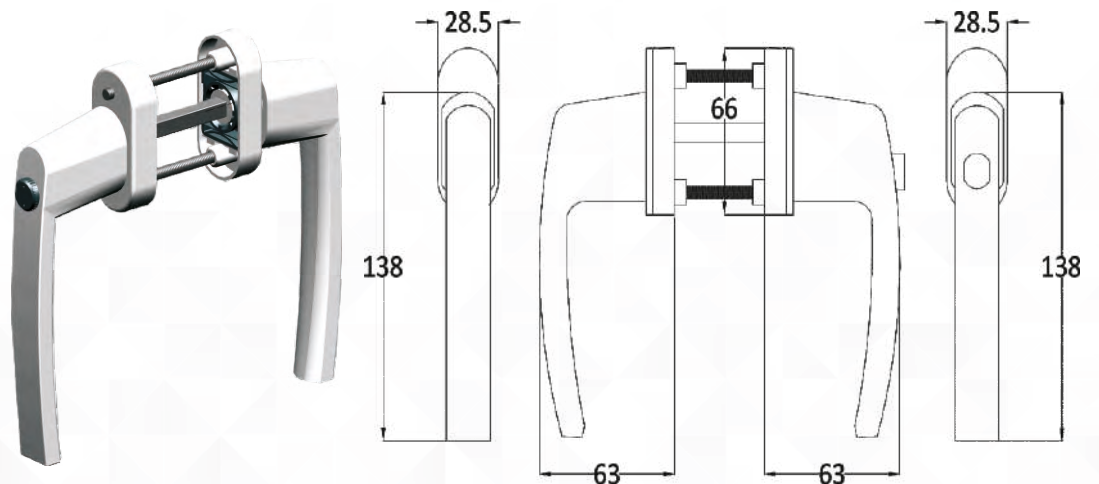
**SLD/CSMT
Double Side Handle
One Side Key
One Knob**
CMTD-306

Colour
 RAL-9016
 RAL-9005
 RAL-8017



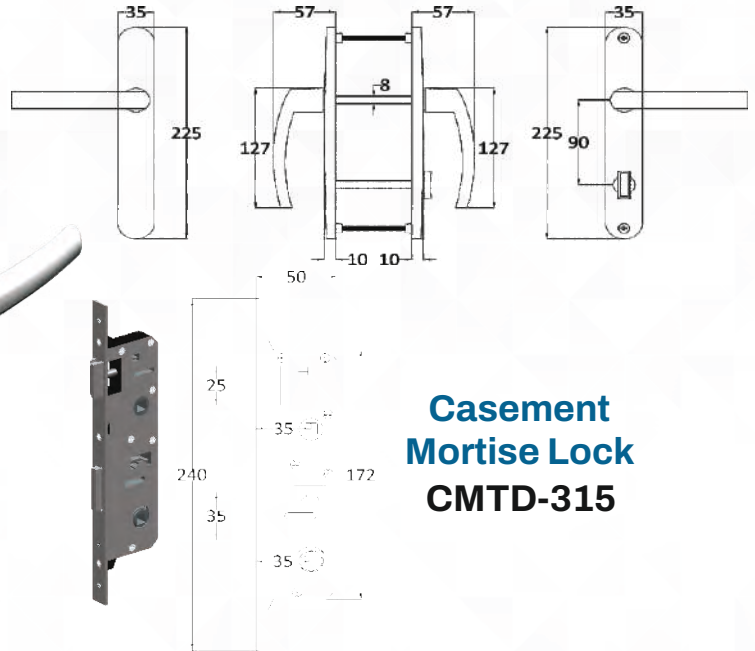
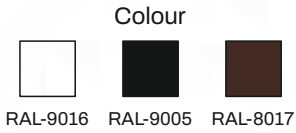
**SLD/CSMT
Door Handle
One Side Knob**
CMTD-311

Colour
 RAL-9016
 RAL-9005
 RAL-8017



Casement Mortise Handle

CMTD-313

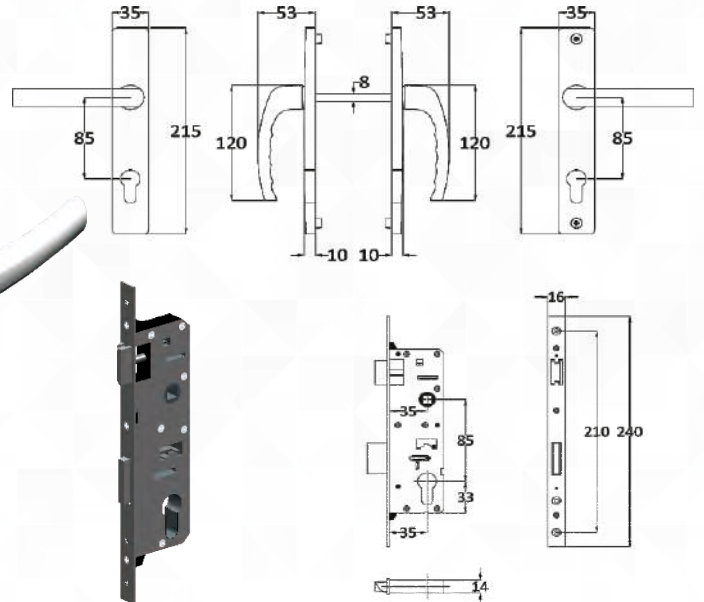
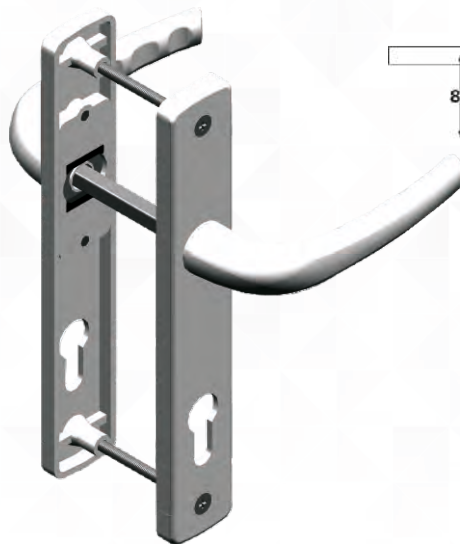
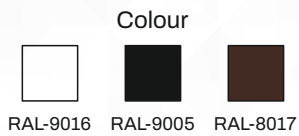


Casement Mortise Lock

CMTD-315

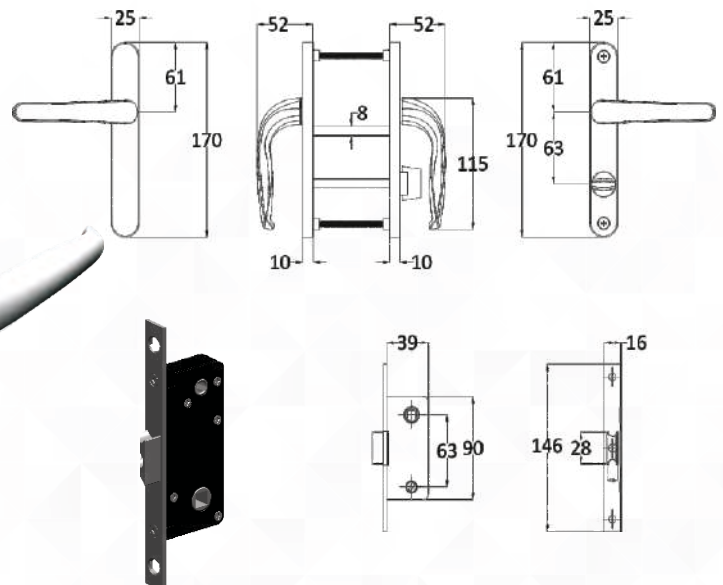
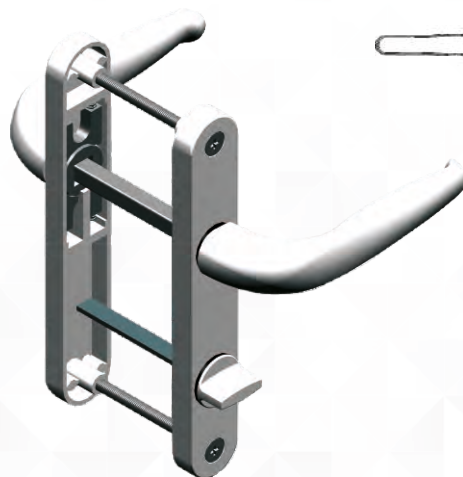
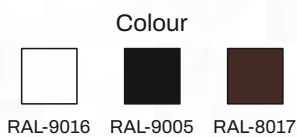
Casement Mortise Lock with Cylinder

CMTD-329



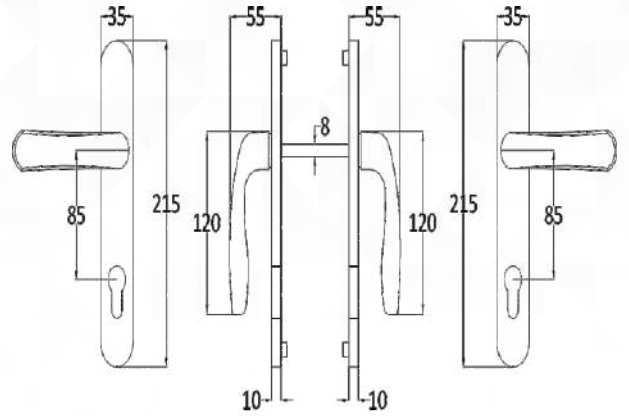
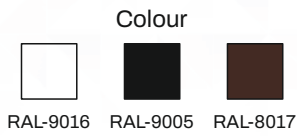
CSMT Mortise Handle Set

CMTD-331



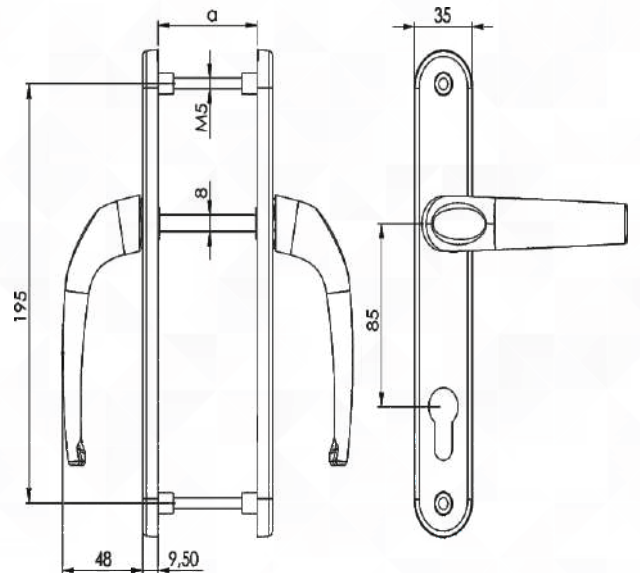
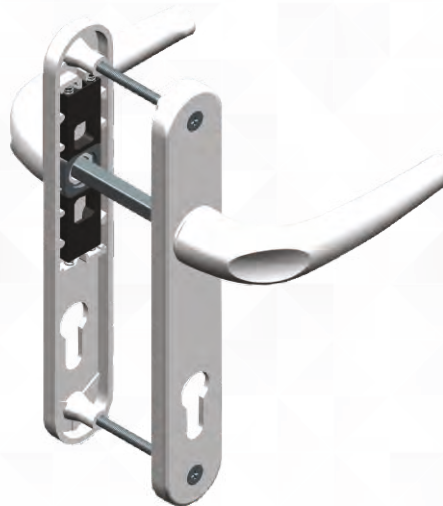
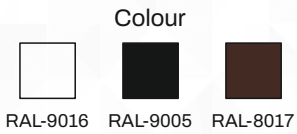
Casement Door Handle (Heavy)

CMTD-317



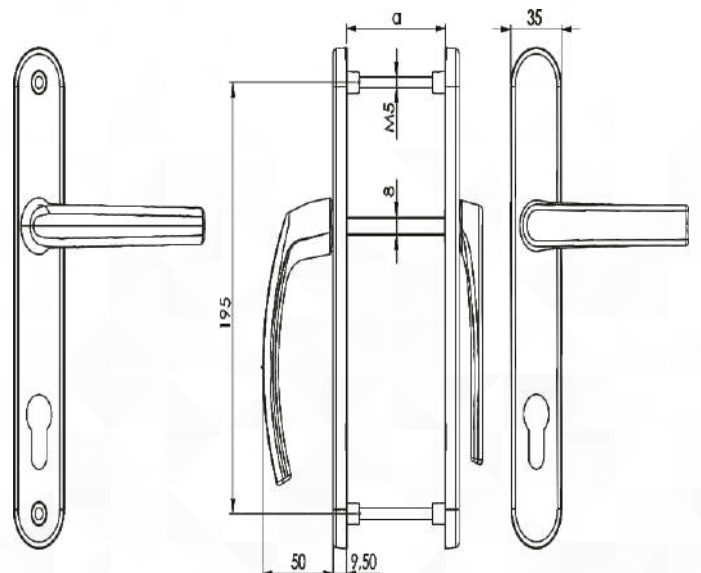
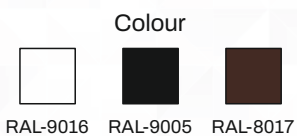
Casement Door Handle (Heavy) Pro

CMTD-318



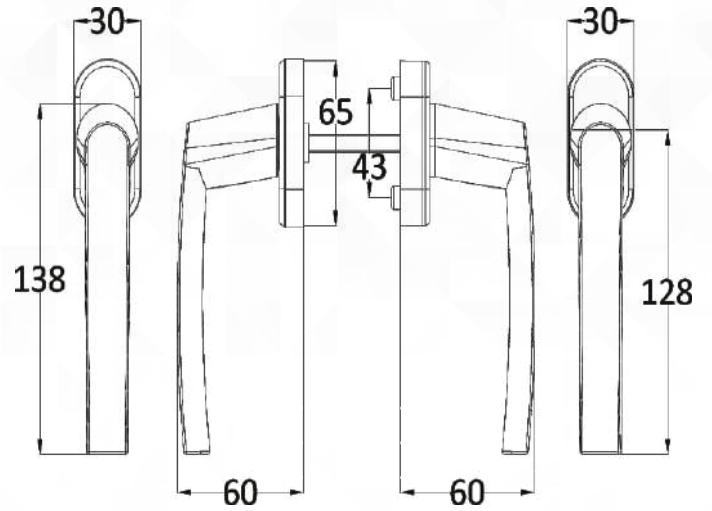
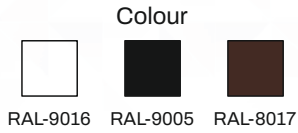
Casement Door Handle Pro Low Neck

CMTD-319



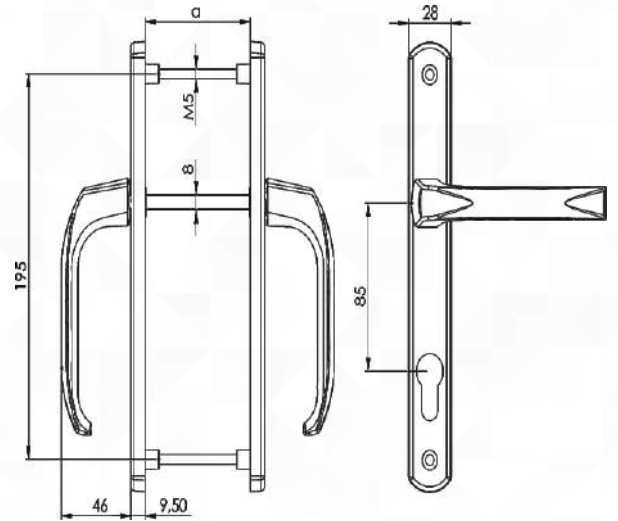
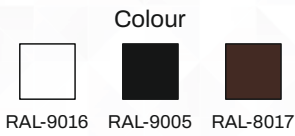
SLD/CSMT DOUBLE HANDLE W/O KEY

CMTD-328



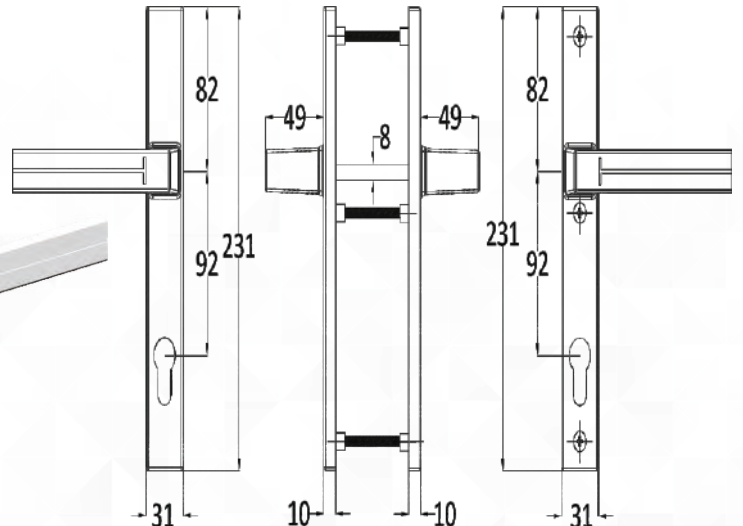
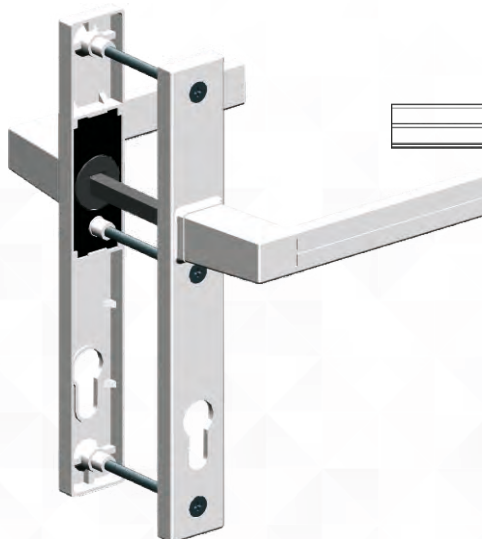
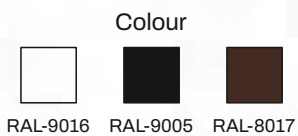
Casement Door Handle (Pro)

CMTD-316



Casement Door Handle ZN

CMTD-362



3D Hinge 140 Kg ZN

CMTD-332

Colour



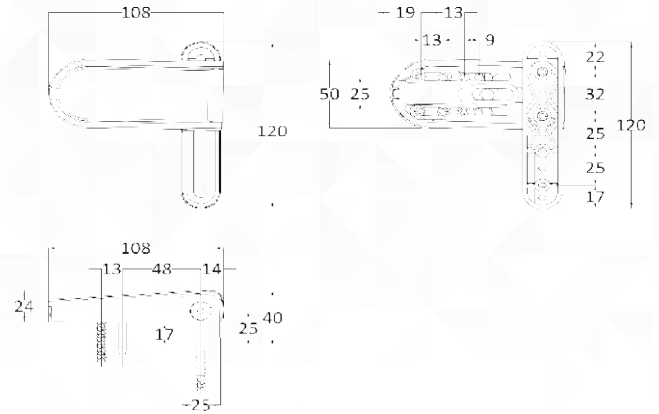
RAL-9016



RAL-9005



RAL-8017



3D Hinge 120 Kg AL

CMTD-333

Colour



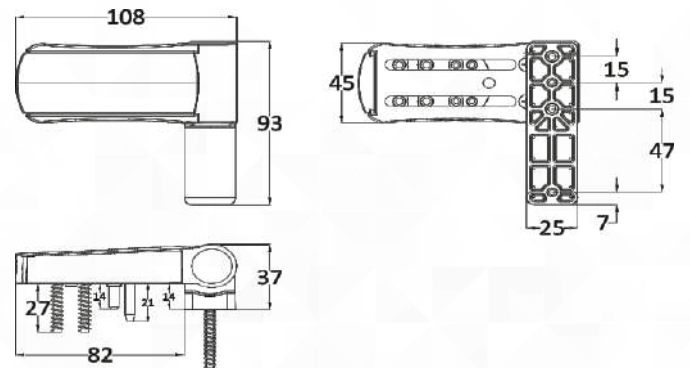
RAL-9016



RAL-9005



RAL-8017



3D Hinge 100 Kg ZN

CMTD-334

Colour



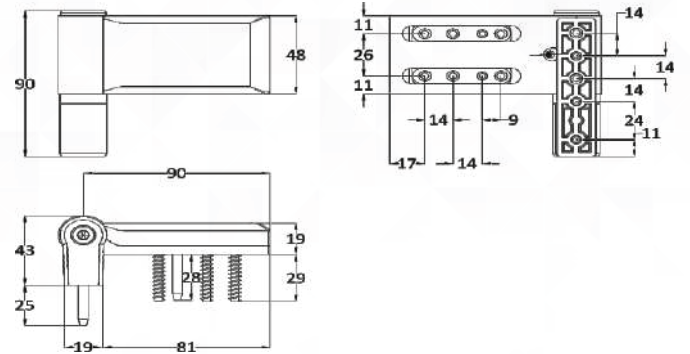
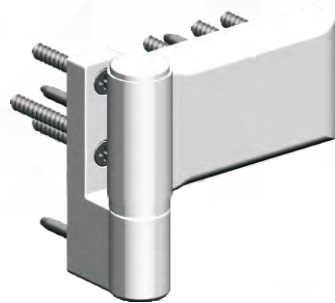
RAL-9016



RAL-9005



RAL-8017



3D Hinge 80 Kg AL

CMTD-335

Colour



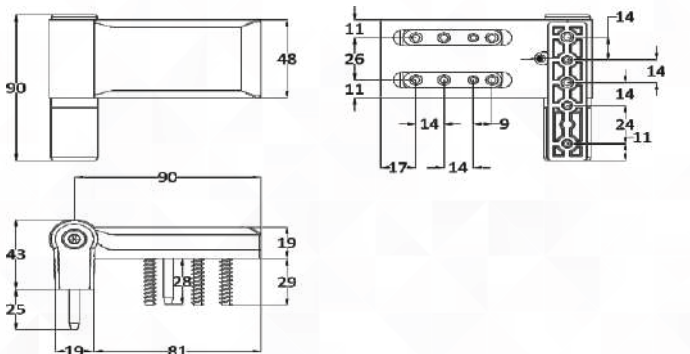
RAL-9016



RAL-9005



RAL-8017



2D Concealed Hinge Door

CMTD-343

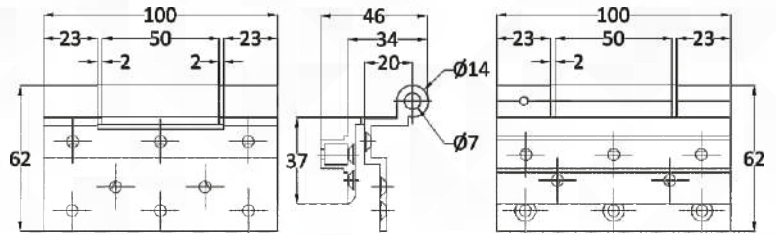
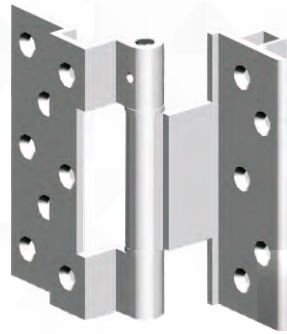
Colour



RAL-9016

RAL-9005

RAL-8017



2D Adjustable Hinge Door

CMTD-344

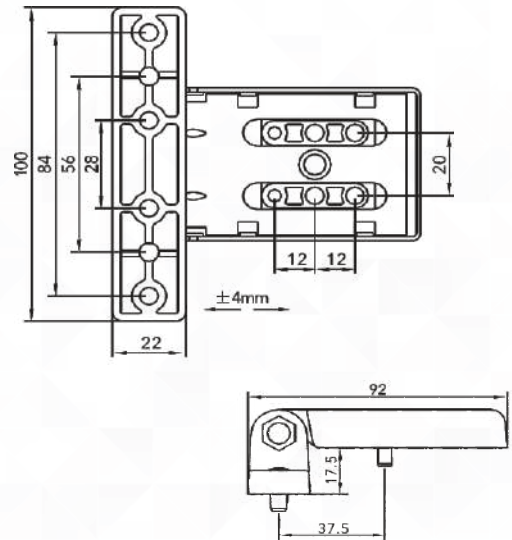
Colour



RAL-9016

RAL-9005

RAL-8017



C Handle ZN SLDW-077

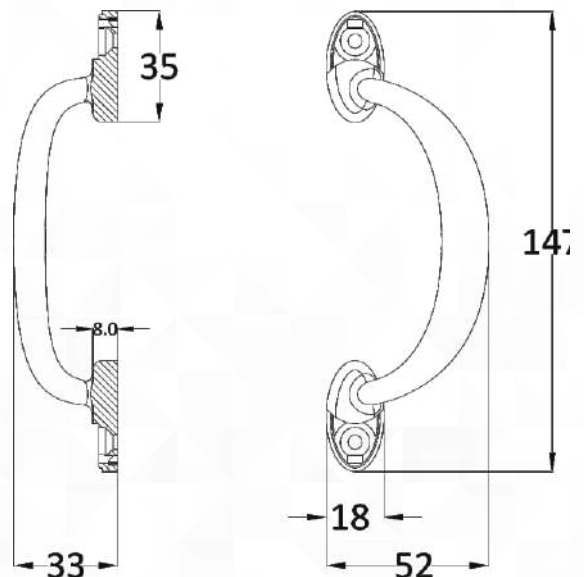
Colour



RAL-9016

RAL-9005

RAL-8017



Pop Up Handle

SLDW-061

Colour



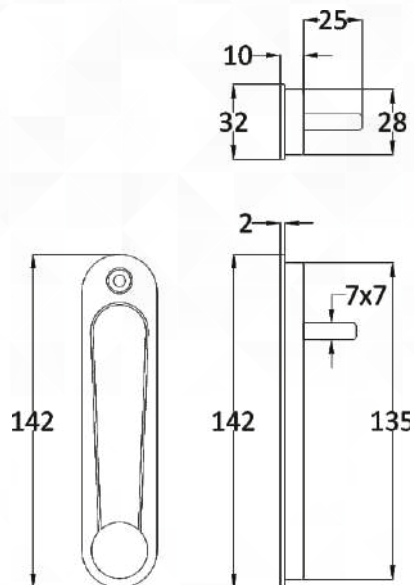
RAL-9016



RAL-9005



RAL-8017



Pop Up Handle Pro

SLDW-066

Colour



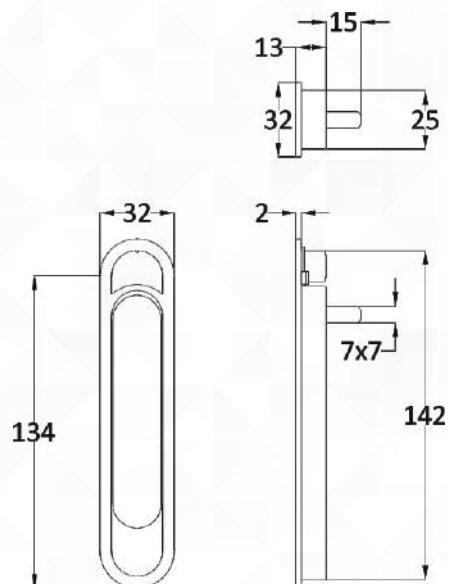
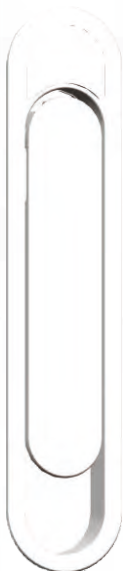
RAL-9016



RAL-9005



RAL-8017



Pop Up Handle Key

SLDW-074

Colour



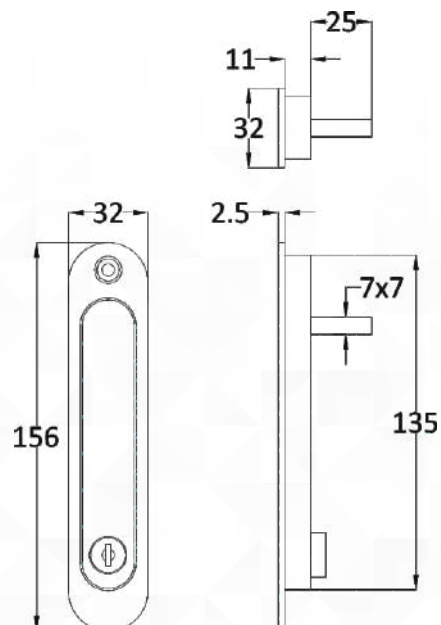
RAL-9016



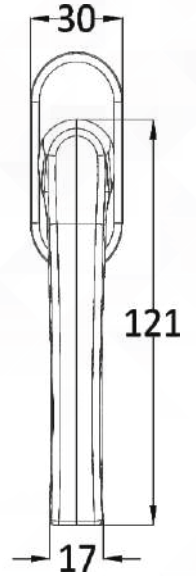
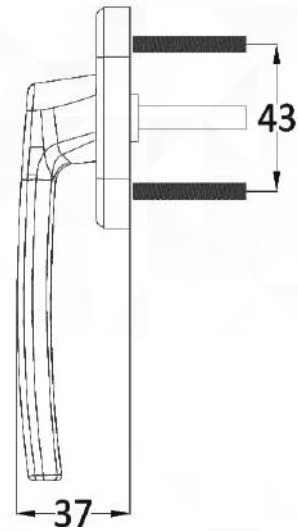
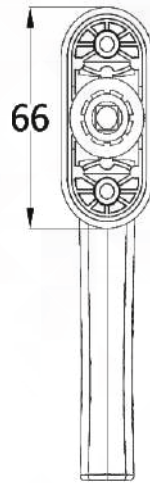
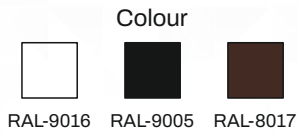
RAL-9005



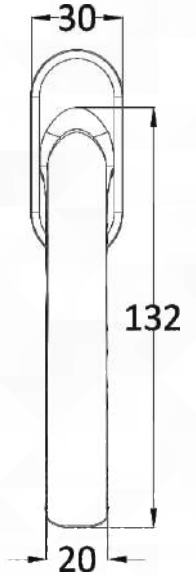
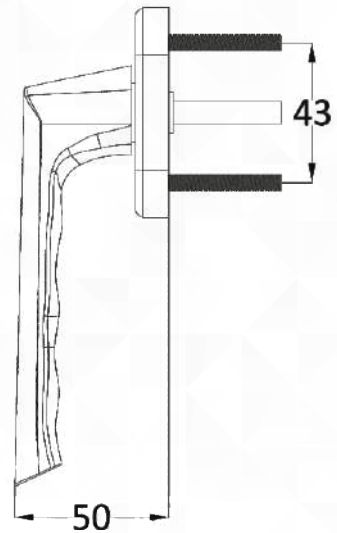
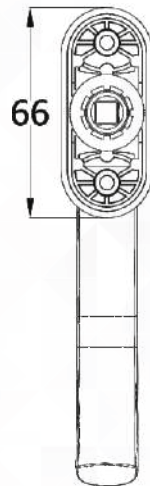
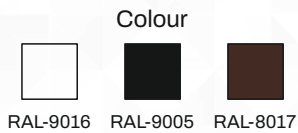
RAL-8017



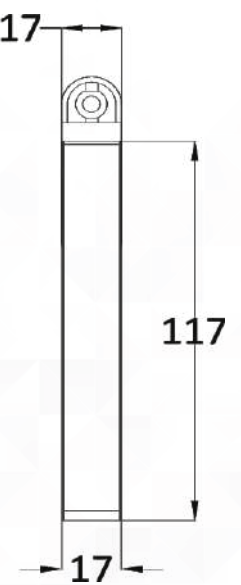
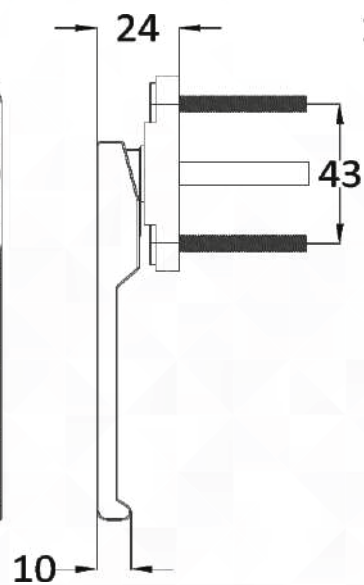
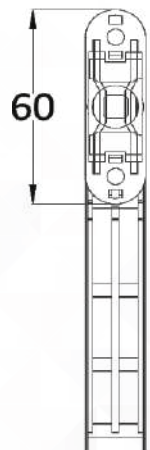
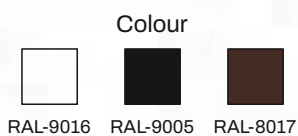
Sliding Handle Short Neck 28mm Pin SLDW-083



Sliding Handle Long SLDW-088



Sliding Handle Short Neck-Ultra Low Neck SLDW-094



Sliding Handle with Key

SLDW-096

Colour



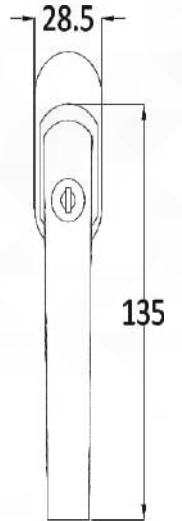
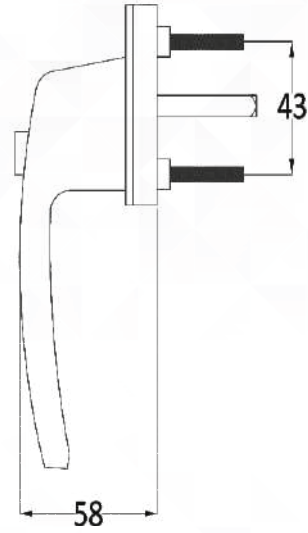
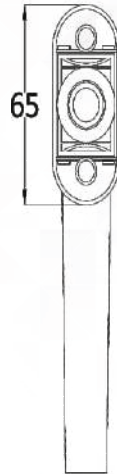
RAL-9016



RAL-9005



RAL-8017



Sliding Handle ZN

SLDW-949

Colour



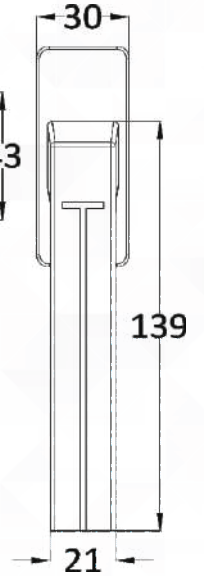
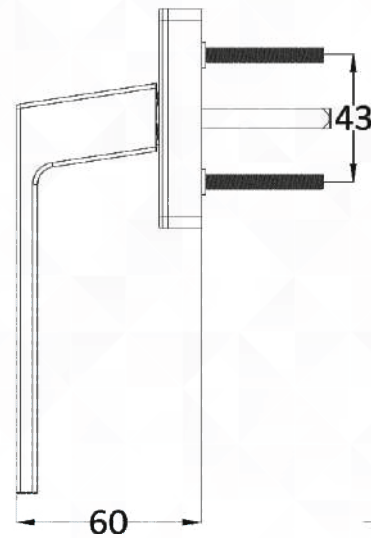
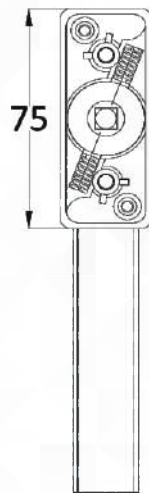
RAL-9016



RAL-9005



RAL-8017



Sliding Handle

SLDW-999

Colour



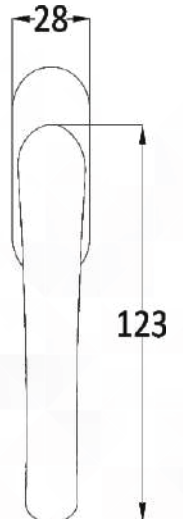
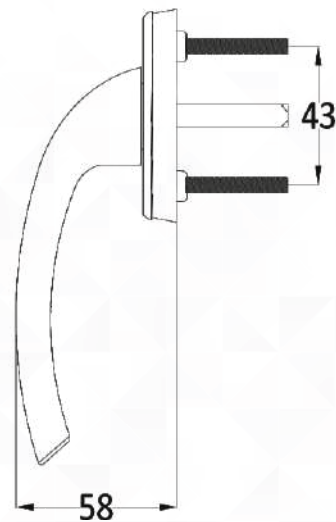
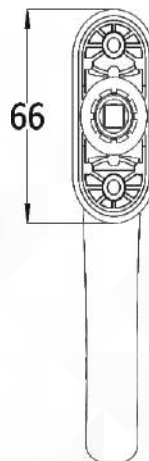
RAL-9016



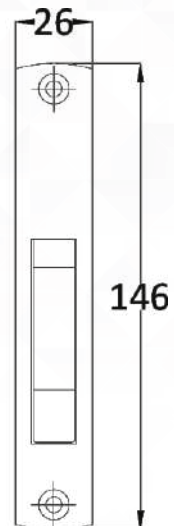
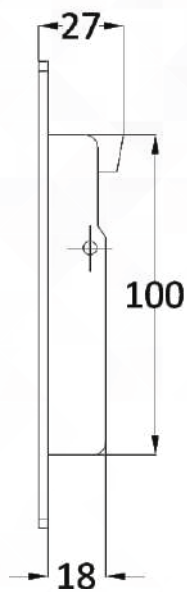
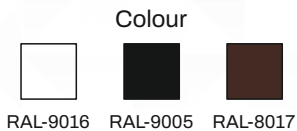
RAL-9005



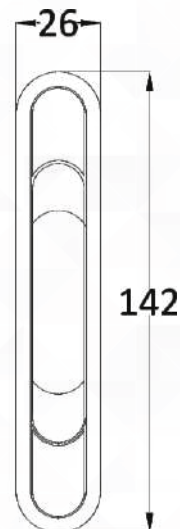
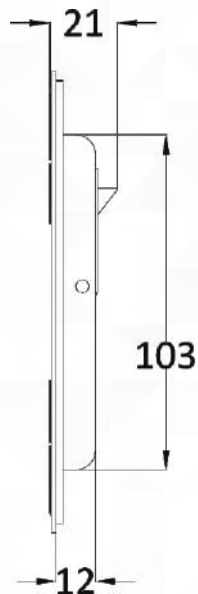
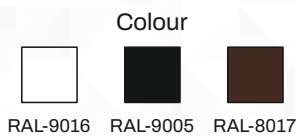
RAL-8017



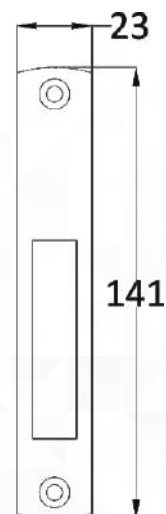
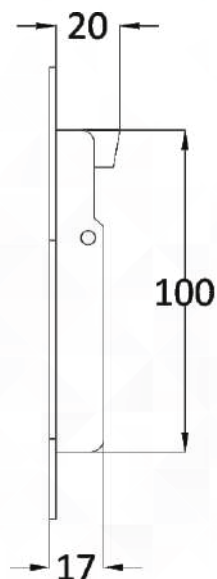
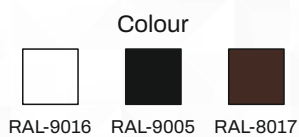
Touch Lock L/R SLDW-001/002



Touch Lock TL02 L/R SLDW-009/010



Touch Lock TL04 L/R SLDW-015/016



Touch Lock TL05 L/R

SLDW-023/024

Colour



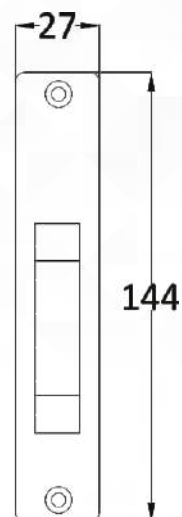
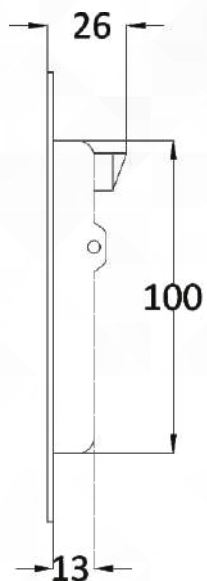
RAL-9016



RAL-9005



RAL-8017



Touch Lock TL07 L/R

SLDW-033/034

Colour



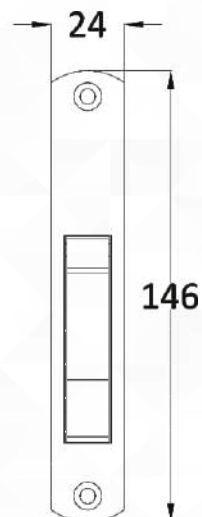
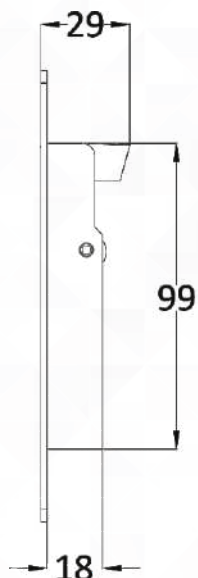
RAL-9016



RAL-9005



RAL-8017



Touch Lock TL09 L/R

SLDW-043/044

Colour



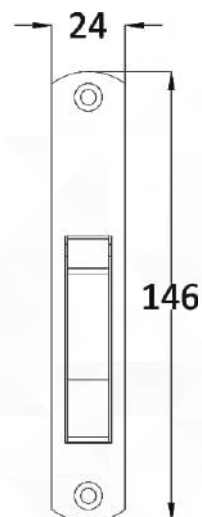
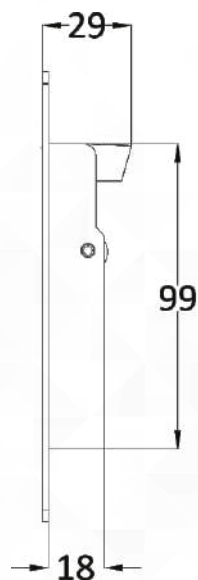
RAL-9016



RAL-9005



RAL-8017



Touch Lock Big L/R

SLDW-055/056

Colour



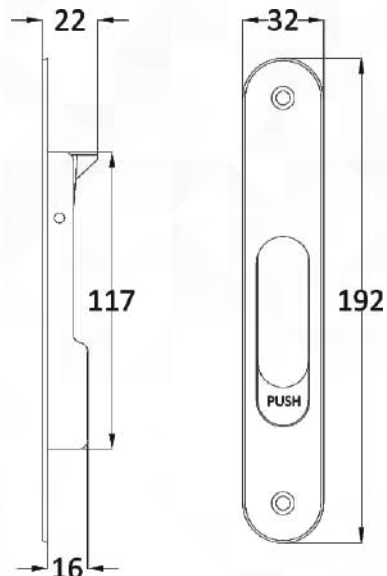
RAL-9016



RAL-9005



RAL-8017



D Handle 92mm Dummy with Plate

SLDD-812

Colour



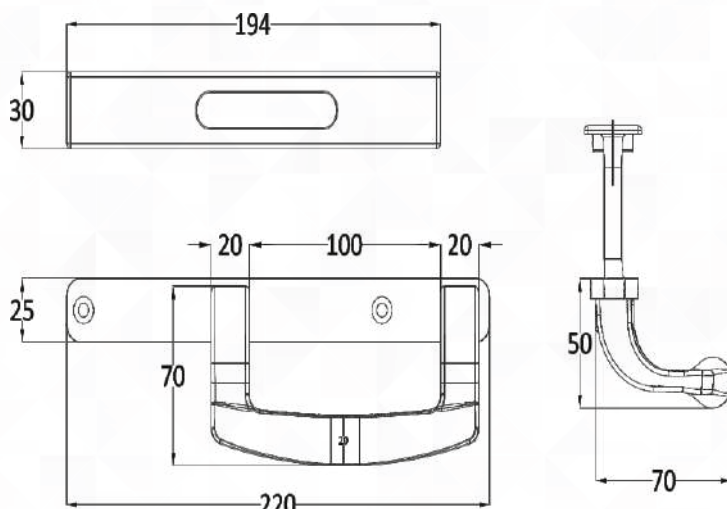
RAL-9016



RAL-9005



RAL-8017



D Handle 92mm Dummy with Knob

SLDD-815

Colour



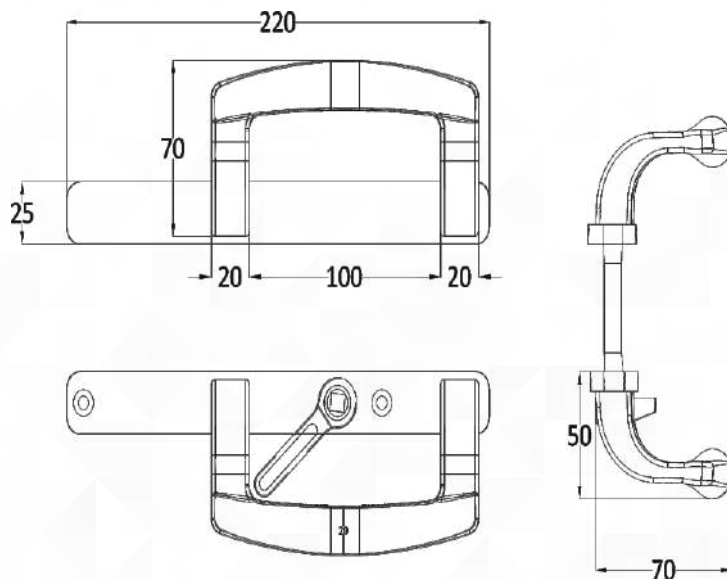
RAL-9016



RAL-9005



RAL-8017



D Handle 92mm Dummy W/o Knob

SLDD-820

Colour



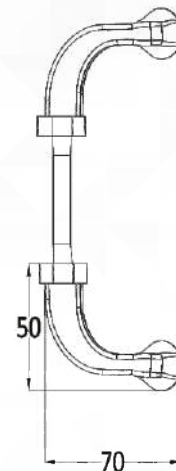
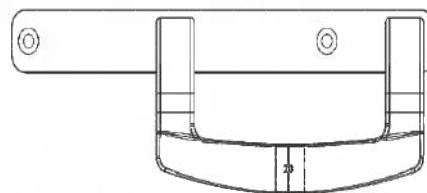
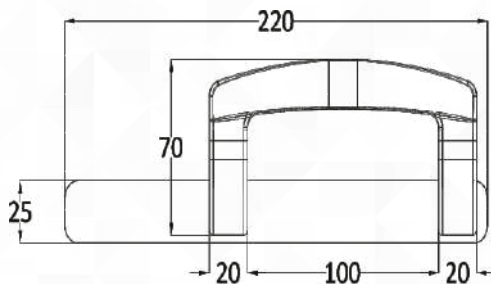
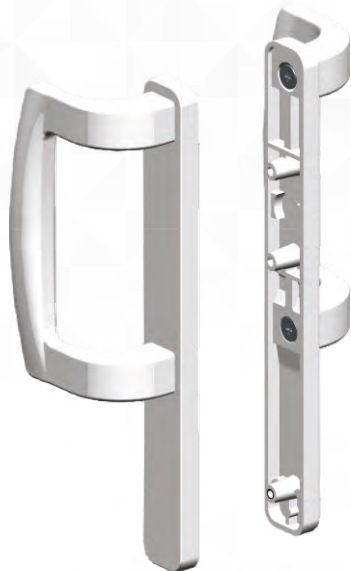
RAL-9016



RAL-9005



RAL-8017



D Handle 92mm

SLDD-823

Colour



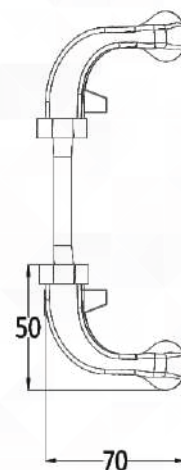
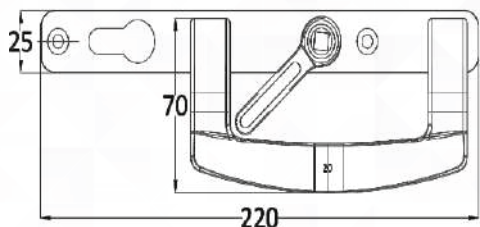
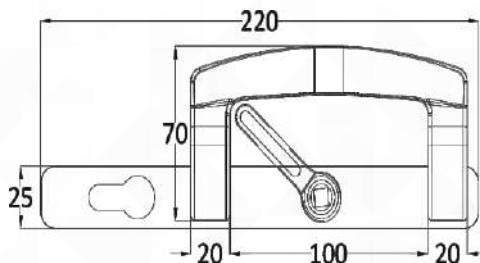
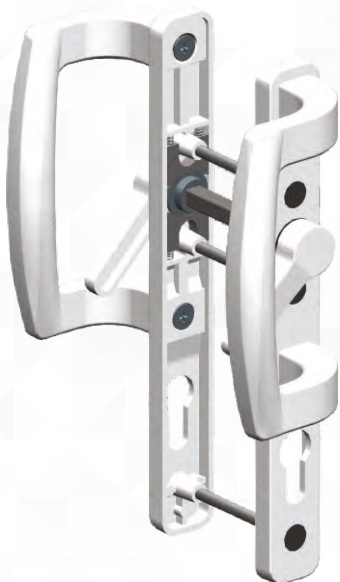
RAL-9016



RAL-9005



RAL-8017



D Handle 92mm Dummy with Knob Cylinder

SLDD-834

Colour



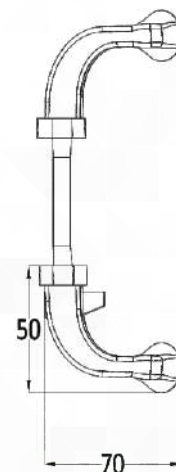
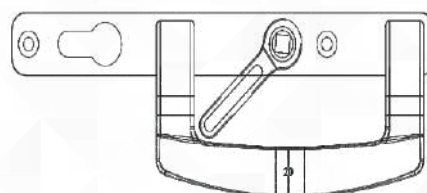
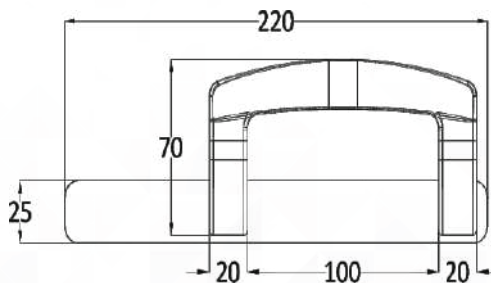
RAL-9016



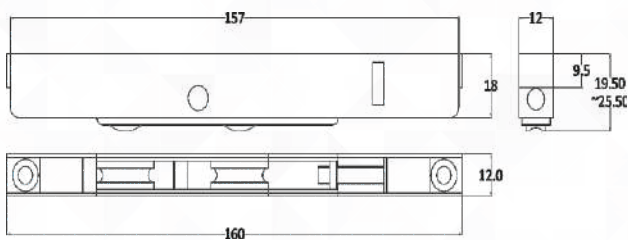
RAL-9005



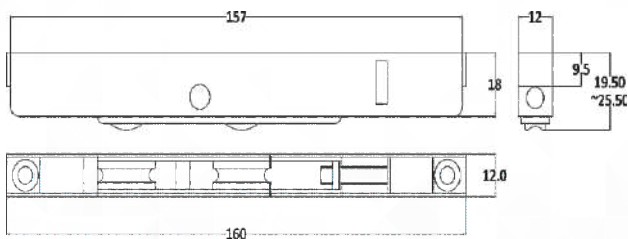
RAL-8017



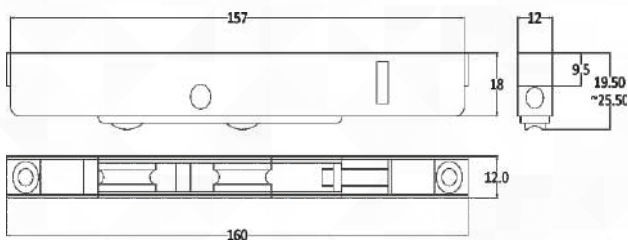
Double Adjustable Roller (MS-Electroplated) SLDD-801



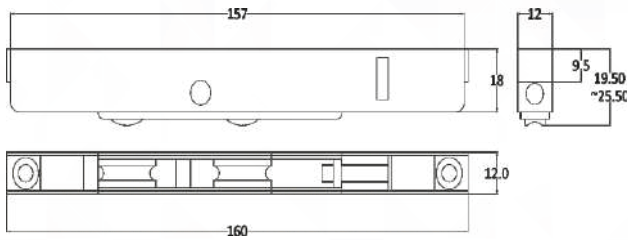
Double Adjustable Roller (SS-410) SLDD-803



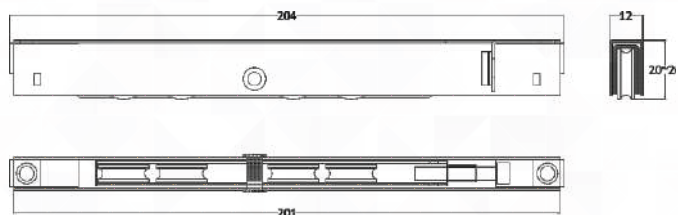
Double Adjustable Roller (SS-304) SLDD-804



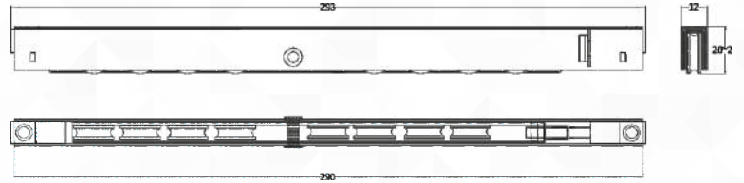
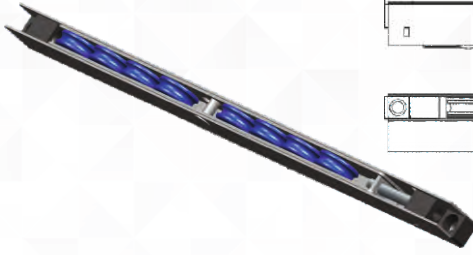
Double Adjustable Roller Metal Wheel (SS-304) SLDD-805



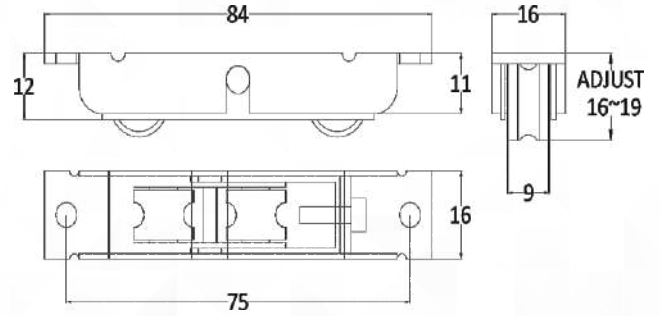
Adjustable Roller Four Wheel SLDD-806



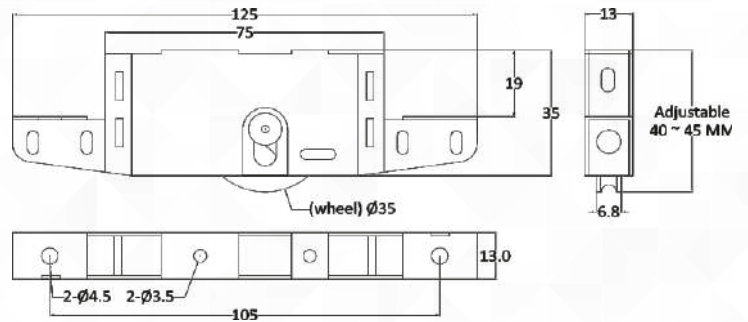
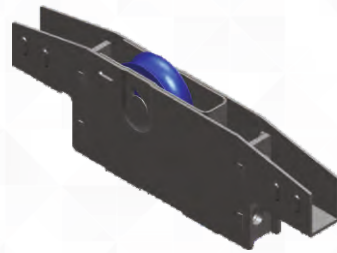
**Adjustable Roller
Eight Wheel
SLDD-807**



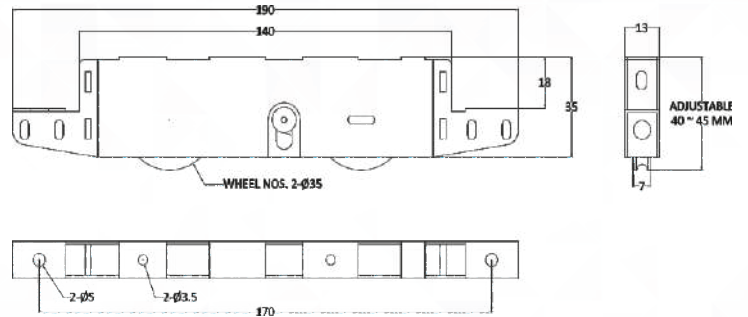
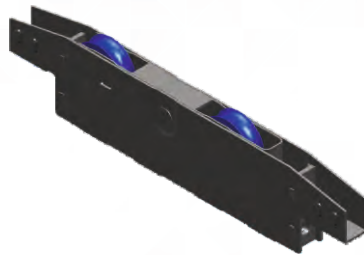
**Double Adjustable
Roller Small
SLDD-808**



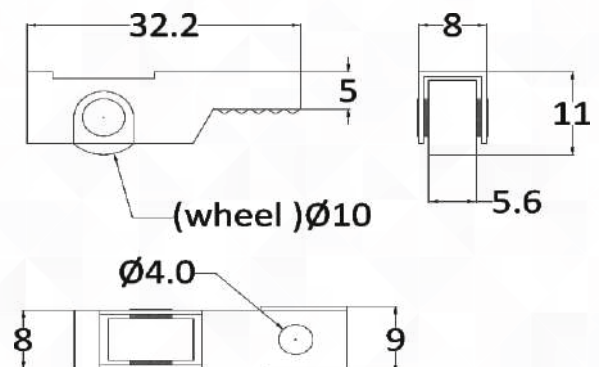
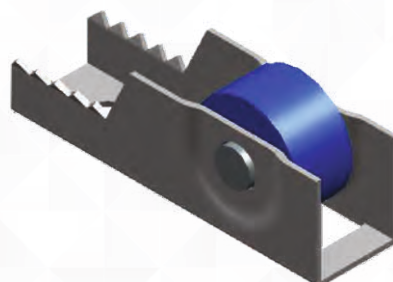
**Adjustable Roller
Medium
SLDD-809**



**Adjustable Roller
Big
SLDD-810**



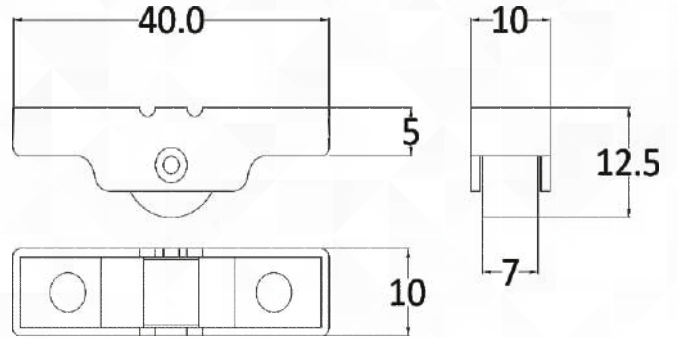
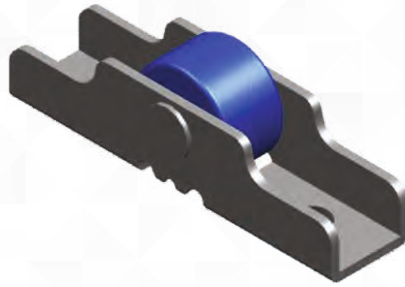
**Bug Mesh Roller
(MF)
SLDW-985**



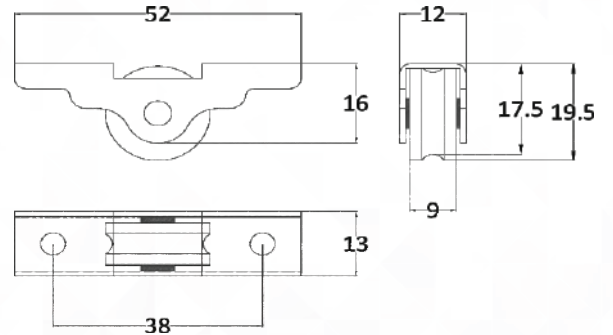
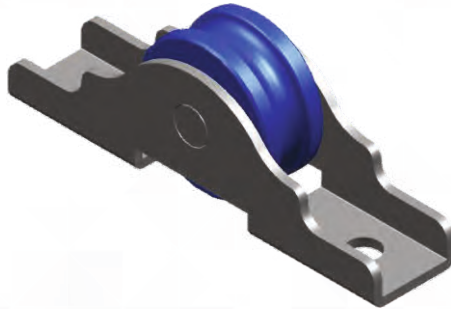
Sliding Roller Series



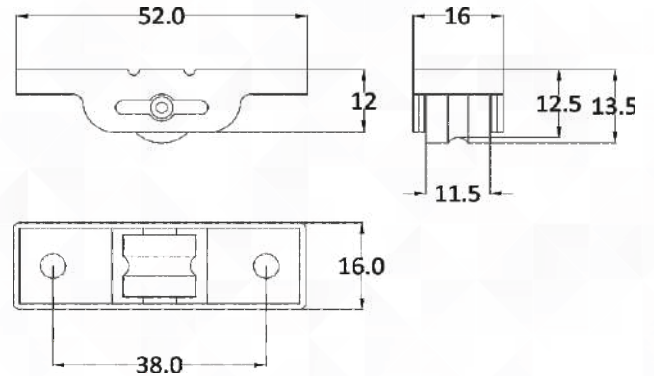
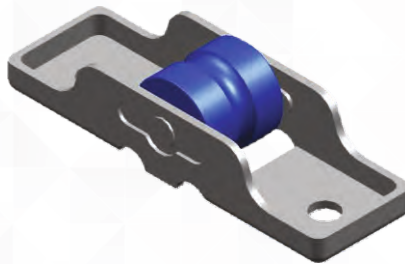
**Bug Mesh Roller
(Sheet Metal)
SLDW-986**



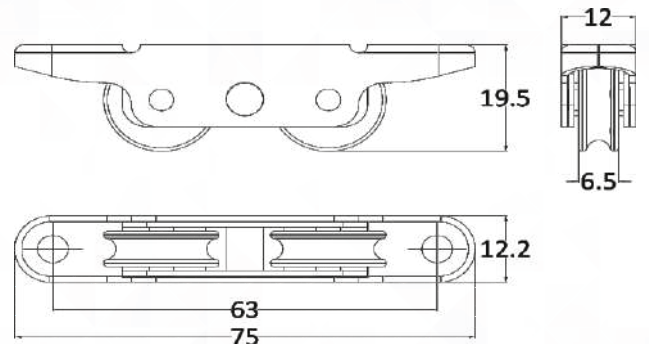
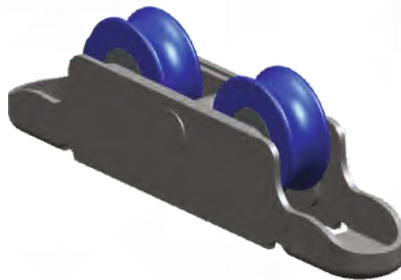
**Single Roller
Nylon Groove
(Needle Bearing)
SLDW-987**



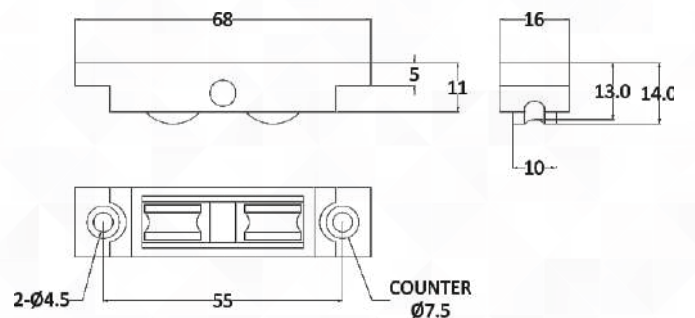
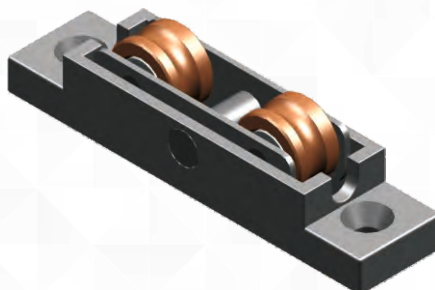
**Single Roller
Nylon Groove
(Sheet Metal)
SLDW-988**



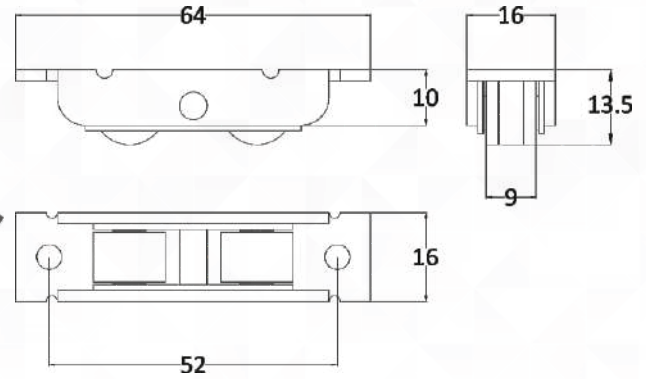
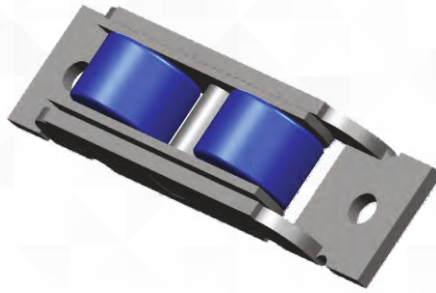
**Single Roller Nylon
Groove
(Ball Bearing)
SLDW-989**



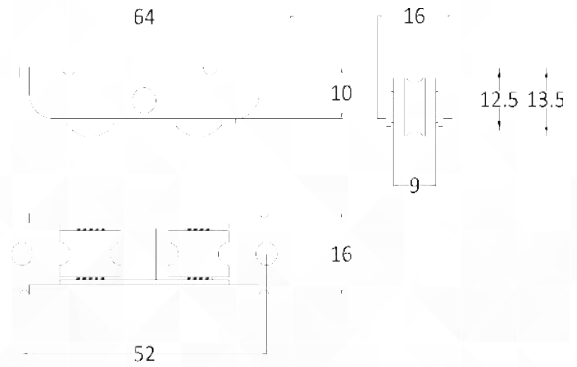
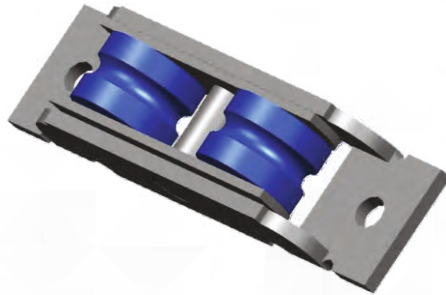
**Double Swing
Roller Metal
Groove (Zinc)
SLDW-990**



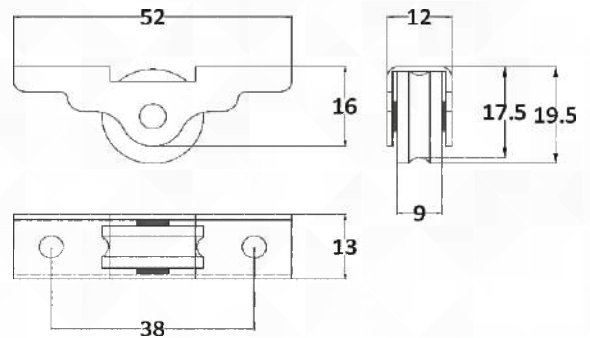
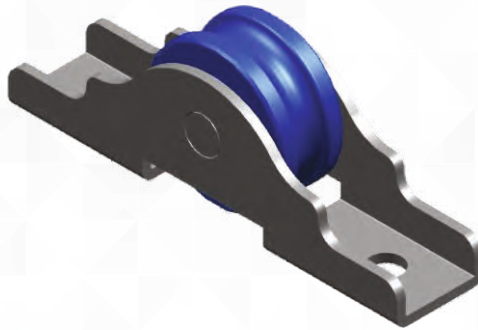
**Double Swing
Roller Nylon Flat
(Sheet Metal)**
SLDW-991



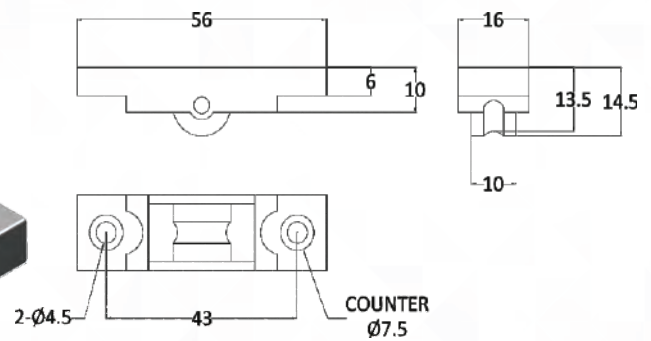
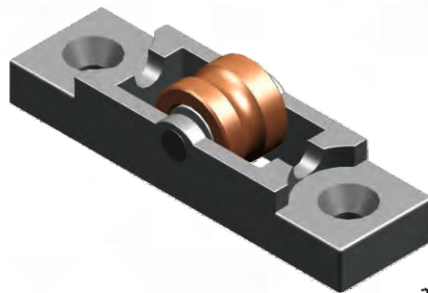
**Double Swing
Roller Nylon Groove
(Sheet Metal)**
SLDW-992



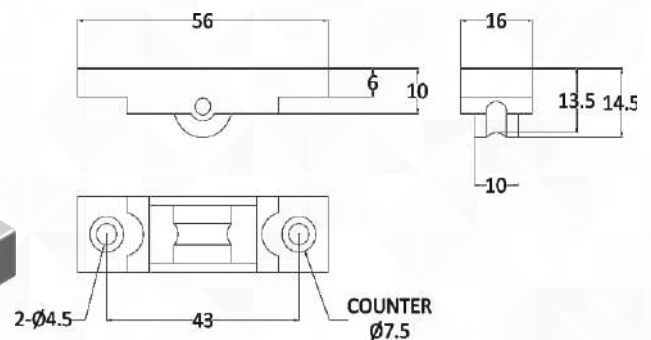
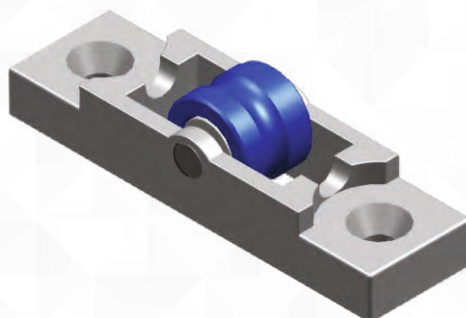
**Single Roller
Nylon Groove
(Ball Bearing)**
SLDW-993



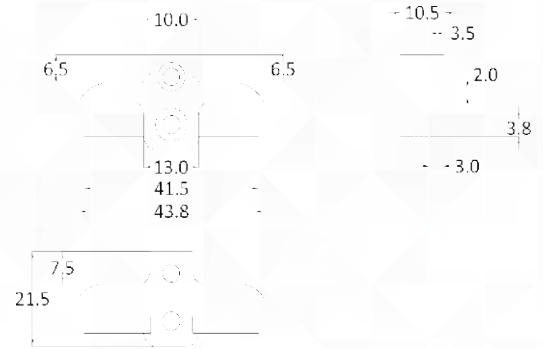
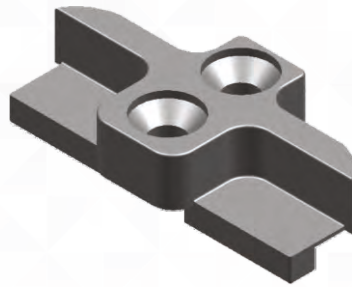
**Single Roller
Metal Groove (Zinc)**
SLDW-994



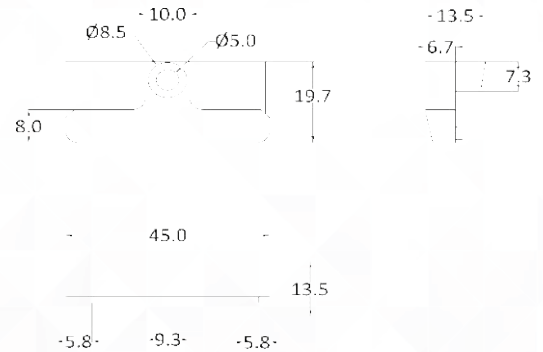
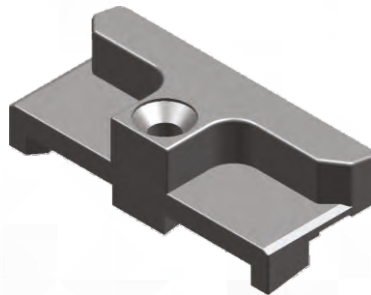
**Single Roller
Nylon Groove
(Die Casting)**
SLDW-995



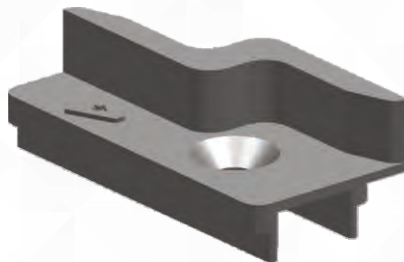
**CSMT
Keep Pro
CMTW-204**



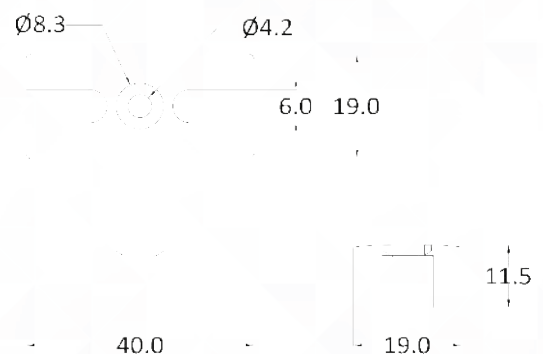
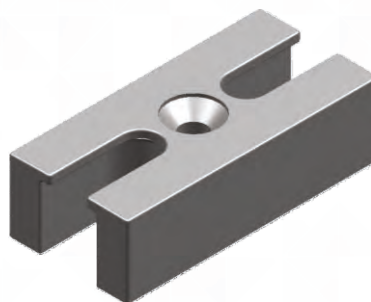
**CSMT
Keep KL
CMTW-205**



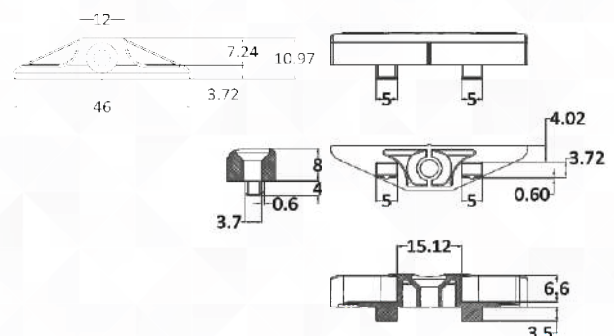
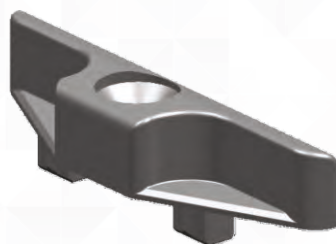
**CSMT
Keep Window
French
CMTW-206**



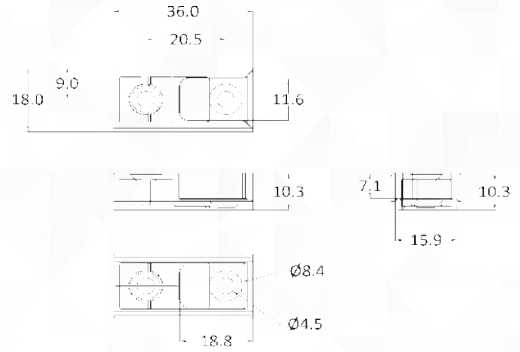
**CSMT
Keep H Type
CMTW-207**



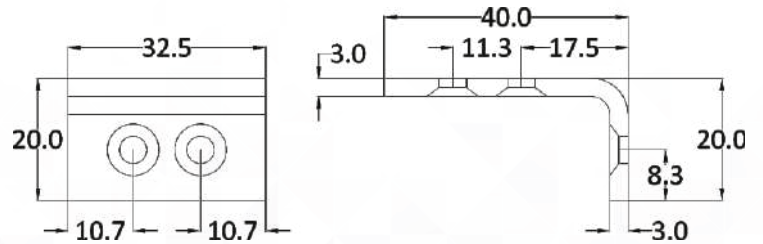
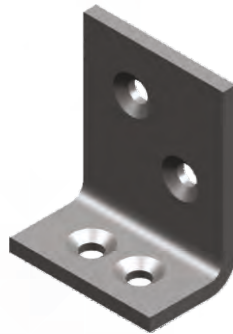
**CSMT Keep
Window Pro
CMTW-227**



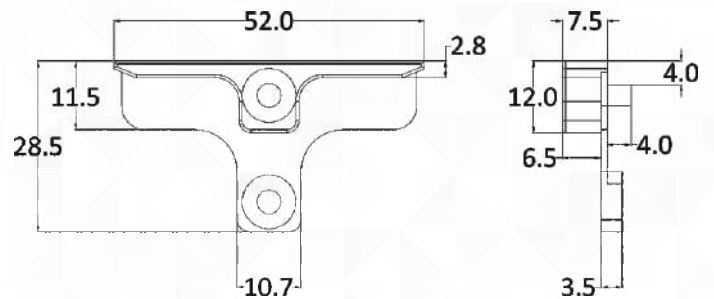
**CSMT Keep
SUD
CMTW-229**



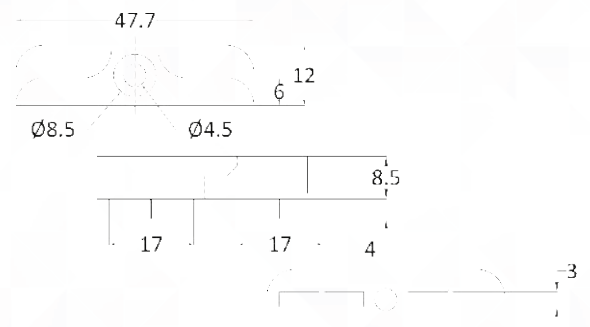
**M Joint
MS
CMTW-228**



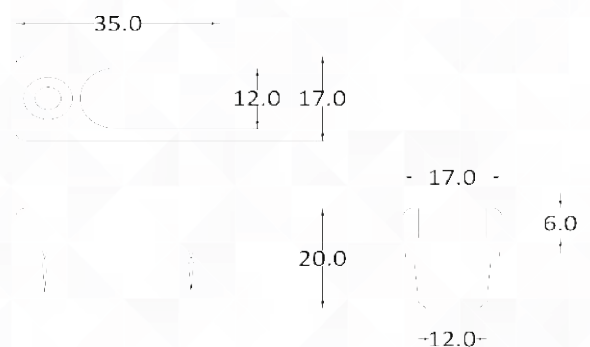
**CSMT KEEP
3MM ZN
CMTW-208**



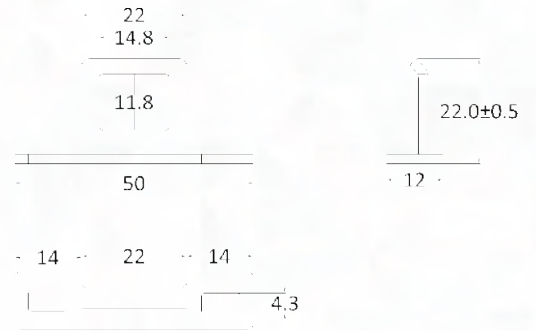
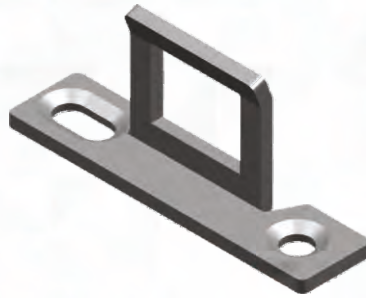
**CSMT
Keep Door ZN
CMTD-360**



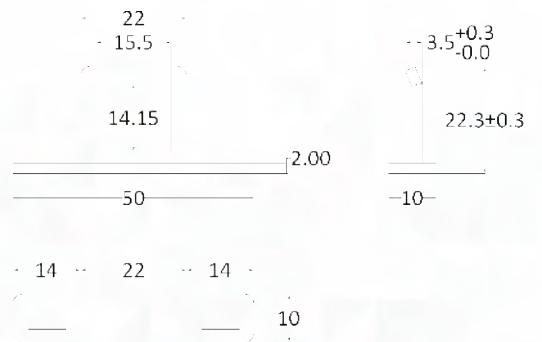
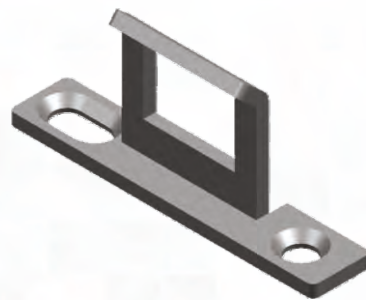
**CSMT Keep
Door French
CMTD-361**



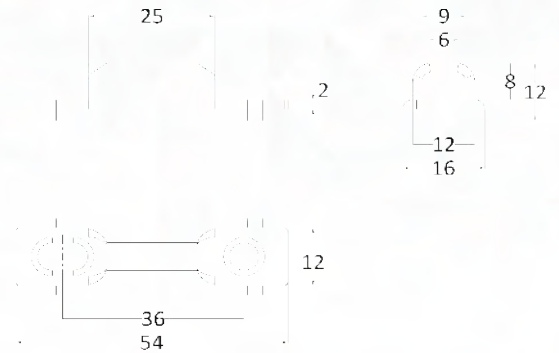
Touch Lock Keep SS304
SLDW-938



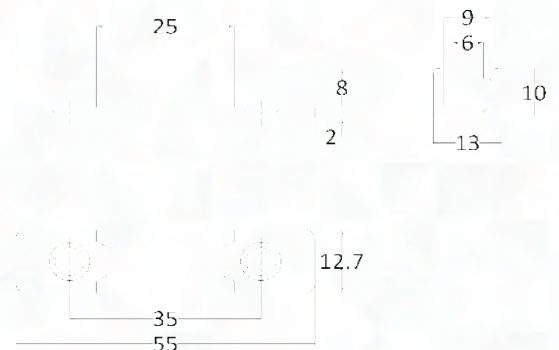
Touch Lock Keep 10mm SS304
SLDW-939



Sliding Keep SS-D
SLDW-981



Sliding Keep SS
SLDW-982



SLIDING ESPAG BACKSET - 7.5MM

CODE	LENGTH	LOCK POINT
SLDW-940	400-1000	2
SLDW-944	1200-1400	3
SLDW-946	1600-2000	4



SLIDING ESPAG BACKSET - 15MM

CODE	LENGTH	LOCK POINT
SLDD-839	400-1000	2
SLDD-843	1200-1400	3
SLDD-846	1600-2000	4



CASEMENT ESPAG BACKSET - 20/22/35MM

CODE	LENGTH	LOCK POINT
CMTW-219	400-1000	2
CMTW-223	1200-1400	3
CMTW-225	1600-2000	4



CASEMENT ESPAG BACKSET - 30X

CODE	LENGTH	LOCK POINT
CMTD-362	800-1000	2
CMTD-364	1200-1400	3
CMTD-366	1600-1800	4



CASEMENT ESPAG BACKSET - 32 and 35X

CODE	LENGTH	LOCK POINT
CMTD-368	1600-1800	4

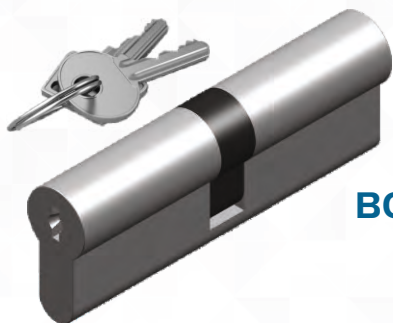


DOOR ESPAG SLIDING DOOR SET

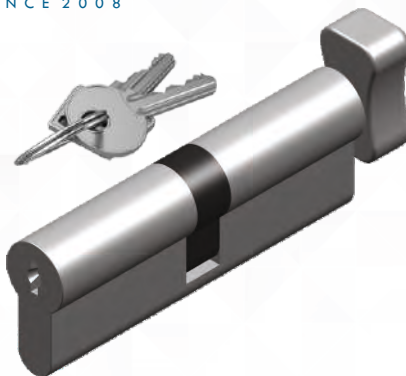
CODE	LENGTH	LOCK POINT
SLDD-811	1800	4



Door Espag Series



CYLINDER WITH BOTH SIDE KEY C-BSK



CYLINDER WITH ONE SIDE KNOB & ONE SIDE KEY C-OSK



CENTRE STRIKER CMTD-368

DOOR ESPAG CASEMENT DOOR SET DEC01



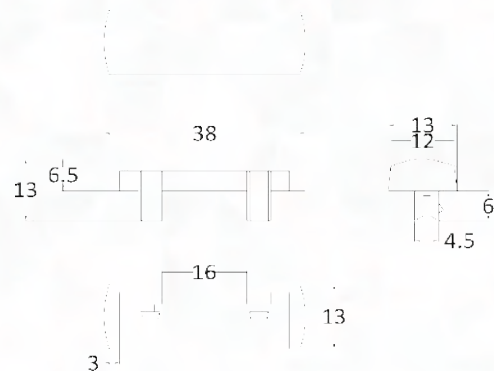
CASEMENT DOOR ESPAG WITH KEY HANDLE DEC02-18 L=1800 MM

CASEMENT DOOR SET DEC03-18 L=1800 MM



CYLINDER SIZE FOR CASEMENT DOOR - 75 MM, 83 MM, 90 MM, (OSK & BSK)

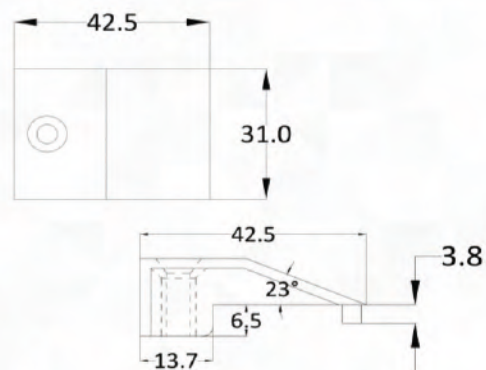
Drainage Cap
CMTW-210



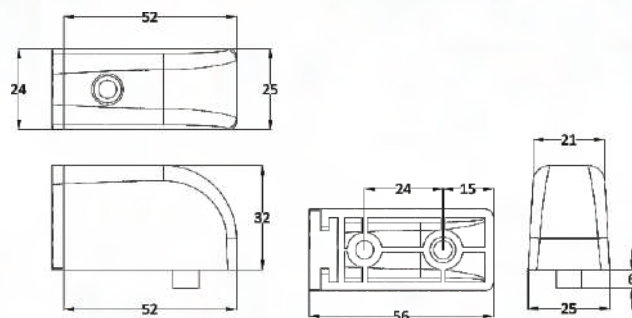
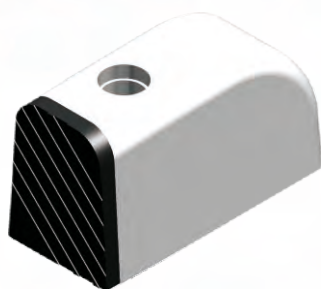
Fastner Cap
CMTW-213



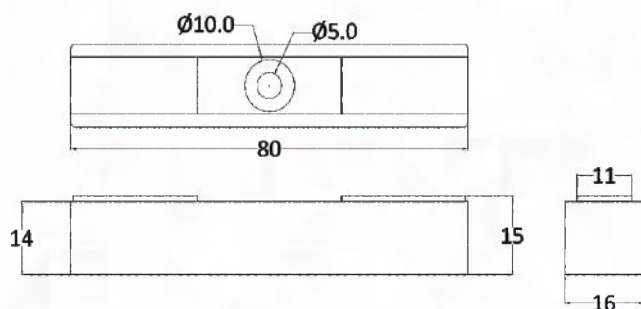
Runner Block
CMTW-218



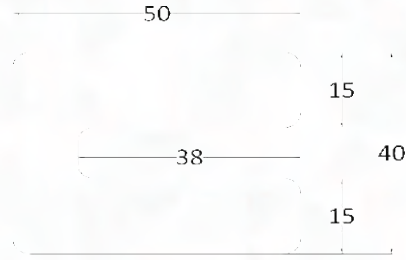
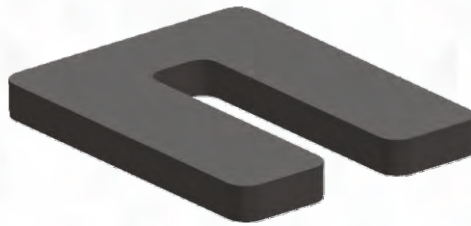
Buffer Stopper Door
SLDD-828



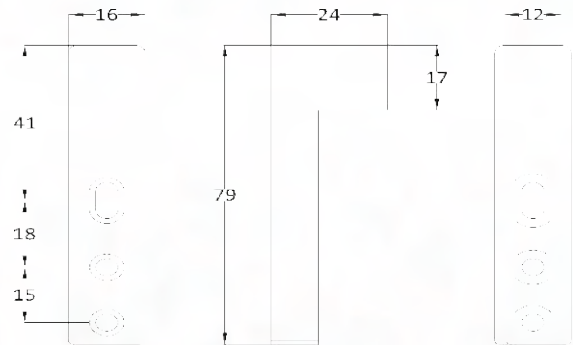
Sliding Stopper
SLDD-831



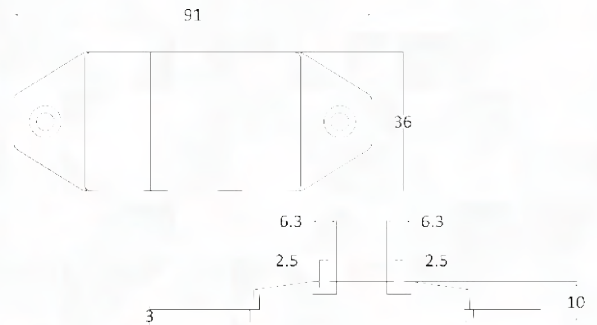
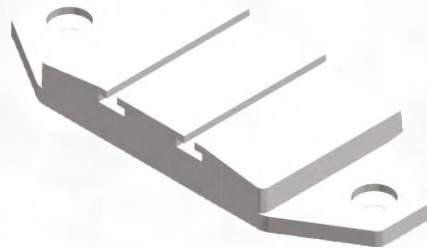
Profile Packer
1/3/5mm
SLDW-962



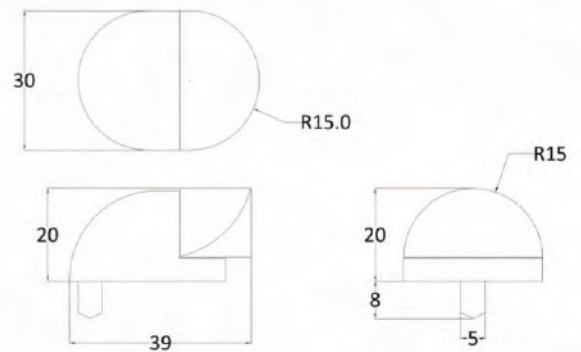
Anti Lift Block
"L" Type
SLDW-971



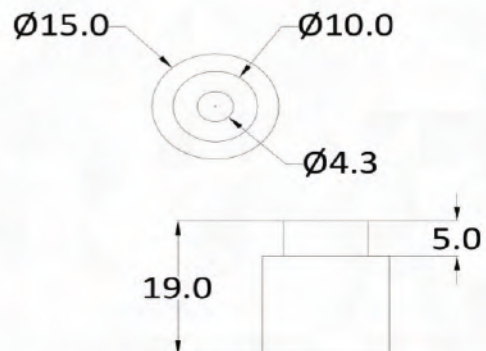
Anti Lift Block 10mm
SLDW-974



Buffer Stopper
SLDW-977



Window Spacer
SLDW-980



SCREW & FASTENER SERIES



NAME	SIZE
SELF DRILLING SCREW, PHILLIPS, DIN 7504P (ZINC PLATE)	3.9 x 13/16/19/25/32/38/50
SELF TAPPING SCREW, PHILLIPS, DIN 7504P (ZINC PLATE)	3.9 x 13/16/19/25/32 - 4.2 x 9.5/13/16/19
SELF DRILLING SCREW, PHILLIPS, DIN 7504P (SS-410)	3.9 x 16/19/25/38
SELF TAPPING SCREW, PHILLIPS, DIN 7504P (SS-304)	3.9 x 25/32 - 4.8 x 50/60/70



FASTENERS

CODE
PP-F-8X100
PP-F-8X80

ACRYLIC SEALANTS

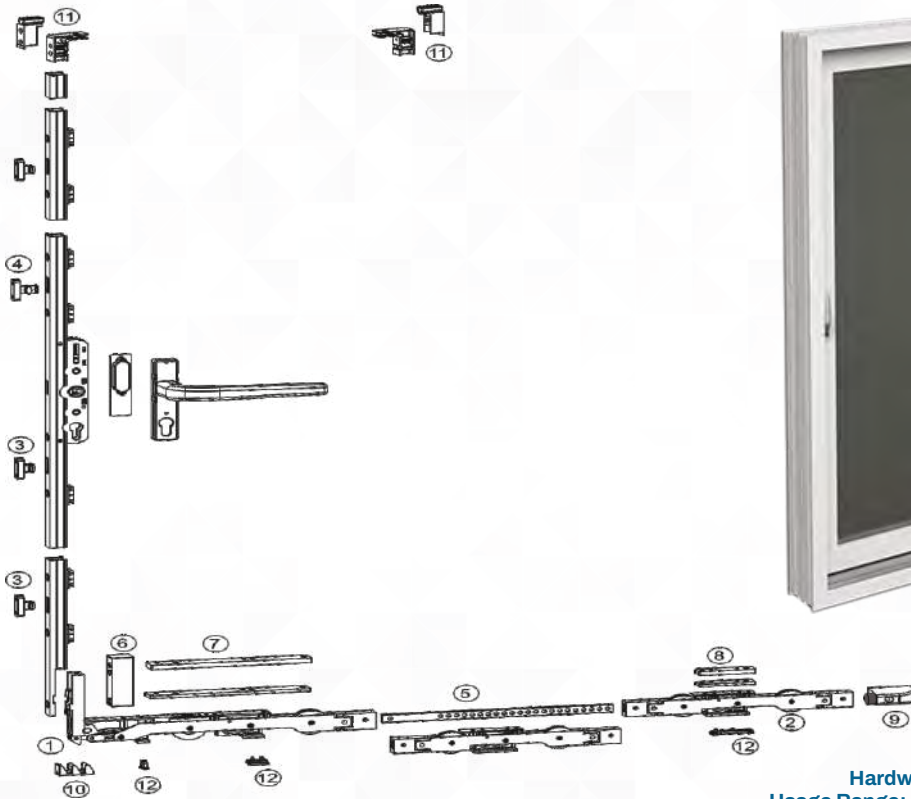


NAME	TYPE OF VOLUME	
ABC 300,500,1000 ACRYLIC SEALANTS	CARTRIDGE (280ML)	WHITE
ABC 1000 ACRYLIC SEALANTS	CARTRIDGE (ML)	BLACK / BROWN / GREY

SLIDE & FOLD

S. No.	ARTICLE	ARTICLE IMAGE	330	321	440	431	550	532	541	660	633	651	770	743	761	HW COL.
1.	BOGIE ROLLER SET		1 PAIR	1 PAIR	2 PAIR	1 PAIR	2 PAIR	2 PAIR	2 PAIR	3 PAIR	2 PAIR	2 PAIR	3 PAIR	3 PAIR	3 PAIR	
2.	SUPPORT BRACKET		1 PAIR	1 PAIR	2 PAIR	1 PAIR	2 PAIR	2 PAIR	2 PAIR	3 PAIR	2 PAIR	2 PAIR	3 PAIR	3 PAIR	3 PAIR	ACCORDING TO REQUIREMENT
3.	FOLDING 3/4/6 METER TRACK TOP AND BOTTOM		1 PAIR	1 PAIR	1 PAIR	1 PAIR	1 PAIR	1 PAIR	1 PAIR	1 PAIR	1 PAIR	1 PAIR	1 PAIR	1 PAIR	1 PAIR	ACCORDING TO REQUIREMENT
4.	SASH RETAINER		2 PAIR	1 PAIR	3 PAIR	2 PAIR	4 PAIR	3 PAIR	3 PAIR	5 PAIR	4 PAIR	4 PAIR	6 PAIR	5 PAIR	5 PAIR	ACCORDING TO REQUIREMENT
5.	FOLDING HINGE 50-30		6 PCS	3 PCS	9 PCS	6 PCS	12 PCS	9 PCS	9 PCS	15 PCS	12 PCS	12 PCS	18 PCS	15 PCS	15 PCS	ACCORDING TO REQUIREMENT
6.	FOLDING HINGE 50-20		3 PCS	6 PCS	3 PCS	6 PCS	3 PCS	6 PCS	6 PCS	3 PCS	6 PCS	6 PCS	3 PCS	6 PCS	6 PCS	ACCORDING TO REQUIREMENT
7.	FOLDING HINGE (50:20) PACKER 16MM / 19MM		3 PCS	6 PCS	3 PCS	6 PCS	3 PCS	6 PCS	6 PCS	3 PCS	6 PCS	6 PCS	3 PCS	6 PCS	6 PCS	ACCORDING TO REQUIREMENT
8.	RIVIT ESPAG (32/35x1400/1800/2100)		1 PCS	1 PCS	1 PCS	1 PCS	1 PCS	1 PCS	1 PCS	1 PCS	1 PCS	1 PCS	1 PCS	1 PCS	1 PCS	
9.	DUMMY ESPAG (32/35x1400/1800/2100)		1 PCS	2 PCS	2 PCS	2 PCS	2 PCS	3 PCS	3 PCS	3 PCS	3 PCS	3 PCS	3 PCS	4 PCS	4 PCS	
10.	CORNER DRIVE		4 PCS	6 PCS	6 PCS	6 PCS	6 PCS	8 PCS	8 PCS	8 PCS	8 PCS	8 PCS	8 PCS	10 PCS	10 PCS	
11.	EXTENSION ARM 300MM		2 PCS	3 PCS	3 PCS	3 PCS	3 PCS	4 PCS	4 PCS	4 PCS	4 PCS	4 PCS	4 PCS	5 PCS	5 PCS	
12.	BOTTOM UNIVERSAL TILT LOCKING STRIKER		1 PCS	1 PCS	2 PCS	1 PCS	2 PCS	2 PCS	2 PCS	2 PCS	2 PCS	2 PCS	3 PCS	3 PCS	3 PCS	
13.	SECURITY PIN STRIKER		8 PCS	8 PCS	8 PCS	8 PCS	12 PCS	12 PCS	12 PCS	12 PCS	12 PCS	12 PCS	14 PCS	14 PCS	14 PCS	
14.	FRENCH KEEP		-	2 PCS	-	2 PCS	-	2 PCS	2 PCS	-	2 PCS	2 PCS	-	2 PCS	2 PCS	
15.	LONG HANDLE		1 PCS	2 PCS	2 PCS	2 PCS	2 PCS	2 PCS	2 PCS	2 PCS	2 PCS	2 PCS	2 PCS	3 PCS	3 PCS	ACCORDING TO REQUIREMENT
16.	SHORT NECK HANDLE		1 PCS	1 PCS	1 PCS	1 PCS	1 PCS	2 PCS	2 PCS	2 PCS	2 PCS	2 PCS	2 PCS	2 PCS	2 PCS	ACCORDING TO REQUIREMENT
17.	JIG		ON DEMAND	ON DEMAND	ON DEMAND	ON DEMAND	ON DEMAND	ON DEMAND	ON DEMAND	ON DEMAND	ON DEMAND	ON DEMAND	ON DEMAND	ON DEMAND	ON DEMAND	

NOTE: IF HEIGHT IS MORE THAN 2400MM OR IF GLASS IS 12MM, WE WILL USE 4 HINGE PER PANEL AND 2 EXTENSION ARM WITH EACH ESPAG.



Hardware Technical Details
Usage Range: Min: 1200mm - Max: 3200mm
Axis : 27.5mm / 37.5mm

**300 Kg Accessories Set Contents

1. Bogie Front 300 Kg
2. Bogie Back 300 Kg
3. Locking Bolt
4. Locking Bolt night vent
5. Connection Rod
6. Esp. Packer Bogie
7. Front Bogie Packer
8. Back Bogie Packer
9. Stopper
10. Locking Bottom
11. Guide Top
12. Bogie Support

ORDER DETAILS

27.5mm Drive Gear	37.5mm Drive Gear	Length	Usage Range	Pcs
140.127.180.000	140.137.180.000	GR 01 1800	1200-1800	1 Set
140.127.210.000	140.137.210.000	GR 02 2100	1801-2100	1 Set
140.127.240.000	140.137.240.000	GR 03 2400	2101-2400	1 Set
140.127.280.000	140.137.280.000	GR 04 2800	2401-2800	1 Set
140.127.320.000	140.137.320.000	GR 05 3200	2801-3200	1 Set
Connecting Road		Length	Usage Range	Pcs
140.200.150.000		GR 01 900	720-1500	1 Adet
140.200.200.000		GR 02 1400	1501-2000	1 Adet
140.200.250.000		GR 03 1900	2001-2500	1 Adet
140.200.320.000		GR 04 2750	2501-3200	1 Adet
Handles				Pcs
140.308.000.200	Inside handle without Cylinder			1 Set
140.308.000.100	Inside handle with Cylinder			1 Set
140.305.000.200	Outside handle without Cylinder			1 Set
140.305.000.100	Outside handle with Cylinder			1 Set
140.303.000.500	Sliding Handle Long			1 Set
300 Kgs Accessories*		300 Kgs Accessories*		Pcs
140.501.000.007	Adopen Pidosan	140.507.000.001	Fabal FLS 140	1 Set
140.501.000.019	Ako Them HB	140.508.000.001	Gealan 8000	1 Set
140.501.000.003	Akpa Alm.	140.509.000.001	Hanwha HB PVC	1 Set
140.501.000.015	Alfil 7600 Seri AL	140.510.000.002	Inalum Marina 135 RPT	1 Set
140.501.000.013	Altezza New Alum. A 30 New	140.510.000.003	Indalsu Domo 125 RPT	1 Set
140.501.000.005	Alumil M300 S 584 HB	140.515.000.002	Laminex Titan	1 Set
140.501.000.018	Aluplast 70 HB PVC	140.518.000.001	Oral Alm (Alu Four)	1 Set
140.501.000.002	Aluplast 85 HB PVC	140.520.000.004	Pimas PVC	1 Set
140.501.000.016	Aluprom 42 HB Alm.	140.520.000.005	Profine Premidor TT2 HB PVC	1 Set
140.501.000.011	Aluswing 110-Alu	140.521.000.001	Rehau Brillant PVC HB	1 Set
140.501.000.014	Alufor Alm	140.521.000.002	Rehau Geneo PVC HB	1 Set
140.501.000.006	Asas RST 126 Alm. / Kayra Metal	140.521.000.006	Reynaers Corredera CP-130 LS	1 Set
140.501.000.004	Asaspen PVC	140.522.000.001	Salamander PVC	1 Set
140.529.000.001	Ayuso Magnum 400 ALU HB	140.522.000.008	Sapa CE 140 RPT HB	1 Set
140.530.000.001	Beymetal LR 3500 PLUS HB	140.522.000.004	Saray Alu SS128	1 Set
140.502.000.001	Burak Alm.	140.522.000.002	Schuco Easy Slide CT 70	1 Set
140.503.000.004	Cortizo 4500 Marco Recto	140.522.000.003	Sistem Alm. S3	1 Set
140.503.000.003	Cortizo 4500 Perimetral	140.522.000.005	Sopena Met. ELV135 RT-Perime	1 Set
140.506.000.001	Chuhadaroglu SL 60 HS	140.524.000.005	Tatprof Lift Side Alm	1 Set
140.506.000.001	Egepen Deceuninck Monorial	140.522.000.005	Tecnico SE N26200	1 Set
140.527.000.001	Eka Slide 70/82 HB PVC	140.522.000.004	Tema Alm. (Std. Kasa)	1 Set
140.506.000.008	Ender Aluminium EIS 115	140.524.000.001	Thysseen HST	1 Set
140.509.000.002	Etem Alm. E3000	140.527.000.005	Veka Slide 70/82 HB PVC	1 Set
140.506.000.003	Exlabera RBT	140.528.000.002	Winsa PVC	1 Set
140.506.000.004	Extrual E-60	140.528.000.001	Wymar 3000	1 Set
140.506.000.005	Extrugasa 2000	140.529.000.002	Zahit Alm. LS 55301 HB	1 Set



TEAM DNV

DNV

SINCE 2008

COMPANY YOU CAN TRUST

Contact Us

Head Office: 305, Crown Heights,
Sector- 10, Rohini, Delhi- 110085
Phone: +91 9599299853, +91 9599299857
Email: info@dnvhardware.com

Our Branch Address

1. Hyderabad: MIG 97, KPHB Colony, 7th Phase,
Kukatpally, Rangareddy, Telangana (36) PIN-500072
Phone: +91 9912228112, +91 8800095357
Email: dnv.hyd@gmail.com

2. Bangalore: 13, Near Millennium World School,
Kogilu, Bangalore-560064
Phone: +91 8800095357, +91 7303096962, 63
Email: dnvglobalmarketing@gmail.com

Works Address

Khasra No. 16/21/2, Nathupur,
Sonipat, Haryana-131029

Phone No.

1. Kolkata: +91 7303096961
2. Nagpur: +91 9311828181
3. Tamilnadu & Kerala: +91 7303096962
4. Goa: +91 9311391832

Follow Us

